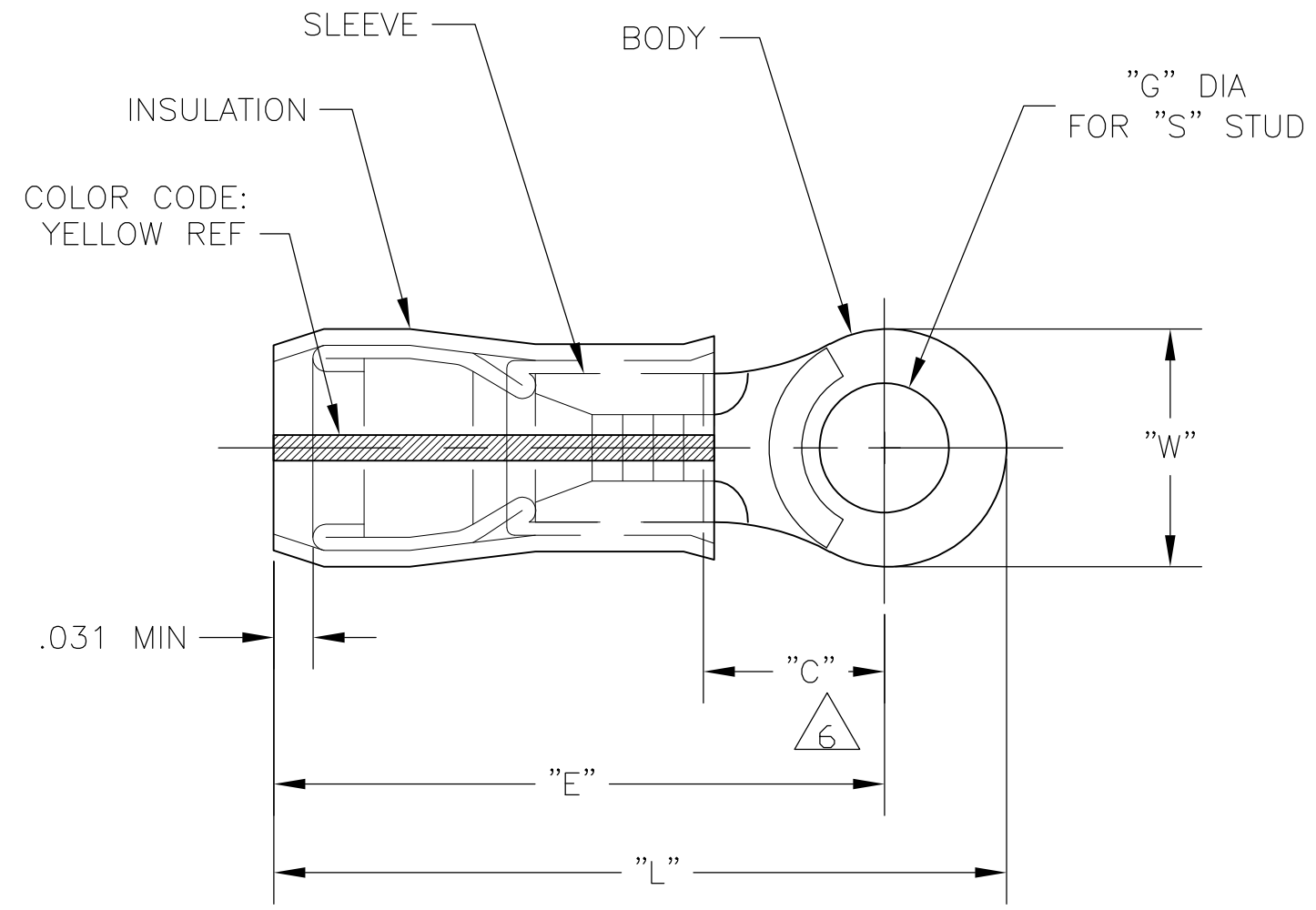


THIS DRAWING IS UNPUBLISHED. RELEASED FOR PUBLICATION
 © COPYRIGHT BY TYCO ELECTRONICS CORPORATION. ALL RIGHTS RESERVED.

LOC	DIST	REVISIONS					
		P	LTR	DESCRIPTION	DATE	DWN	APVD
G	14		A1	REV PER ECR 07-016469	18JUL07	JR	TM



- 1 STAMP AMP 12-10* APPROX AS SHOWN
- 2 WIRE INSULATION DIA: .150-.230
- 3 TONGUE MATERIAL THK: .039±.002
- 4 BODY & SLEEVE: TIN PLATE PER ASTM B545,
- 5 BODY & SLEEVE- CU PER ASTM B152
INSULATION - PVF2, COLOR - NATURAL
- 6 APPLIES FROM EDGE OF METAL WIRE BARREL TO CENTER OF STUD HOLE.

M7928/4-158 CLASS 2	.715	.474 MIN	1.054 MAX	.515±.005	1/2"	1.419 MAX	500	LOOSE PIECE	1-696424-0
M7928/4-114 CLASS 2	.593	.531 MIN	1.115 MAX	.390±.005	3/8"	1.419 MAX	500	LOOSE PIECE	696424-9
M7928/4-113 CLASS 2	.531	.468 MIN	1.054 MAX	.328±.005	5/16"	1.327 MAX	500	LOOSE PIECE	696424-8
M7928/4-157 CLASS 2	.531	.468 MIN	1.054 MAX	.265±.005	1/4"	1.327 MAX	500	LOOSE PIECE	696424-7
M7928/4-112 CLASS 2	.375	.302 MIN	.893 MAX	.197±.003	#10	1.088 MAX	500	LOOSE PIECE	696424-6
M7928/4-156 CLASS 2	.375	.302 MIN	.893 MAX	.171±.003	#8	1.088 MAX	500	LOOSE PIECE	696424-5
M7928/4-111 CLASS 2	.375	.302 MIN	.893 MAX	.145±.003	#6	1.088 MAX	500	LOOSE PIECE	696424-4
MILITARY P/N & CLASS	"W"	"C"	"E"	"G" DIA	"S"	"L"	QTY	PACKAGE TYPE	PART NO

AMP INCORPORATED CUSTOMER SERVICE SYSTEMS		MAX RECOMMENDED OPERATING TEMPERATURE: 150°C MAX	THIS DRAWING IS A CONTROLLED DOCUMENT.		DWN JR RUTH 25JUL05 CHK T MICHELUTTI 25JUL05 APVD T MICHELUTTI 25JUL05		Tyco Electronics Tyco Electronics Corporation Harrisburg, Pa 17105-3608		
			DIMENSIONS: INCHES 	TOLERANCES UNLESS OTHERWISE SPECIFIED: 0 PLC ± - 1 PLC ± - 2 PLC ± - 3 PLC ± - 4 PLC ± - ANGLES ± -	PRODUCT SPEC - APPLICATION SPEC - WEIGHT -		NAME TERMINAL, RING TONGUE, PVF2, P.I.D.G. WIRE SIZE: 12-10 AWG		
FOR ADDITIONAL PRODUCT INFORMATION OR COPIES OF DRAWINGS AND TECHNICAL DOCUMENTS PRODUCT INFORMATION CENTER 1-800-522-6752	FOR APPLICATION TOOLING ASSISTANCE CENTER TOOLING INFORMATION 1-800-722-1111	CIRCULAR MIL AREA: 2.62-6.64mm² [5,180-13,100] STRANDED	MATERIAL			SIZE CAGE CODE DRAWING NO RESTRICTED TO A3 00779 C-696424 -		CUSTOMER DRAWING SCALE 4:1 SHEET 1 OF 1 REV A1	
FOR ORDER ENTRY 1-800-526-5142		THIS DRAWING IS A CONTROLLED DOCUMENT FOR AMP INCORPORATED. IT IS SUBJECT TO CHANGE AND THE CONTROLLING ENGINEERING ORGANIZATION SHOULD BE CONTACTED FOR THE LATEST REVISION.							