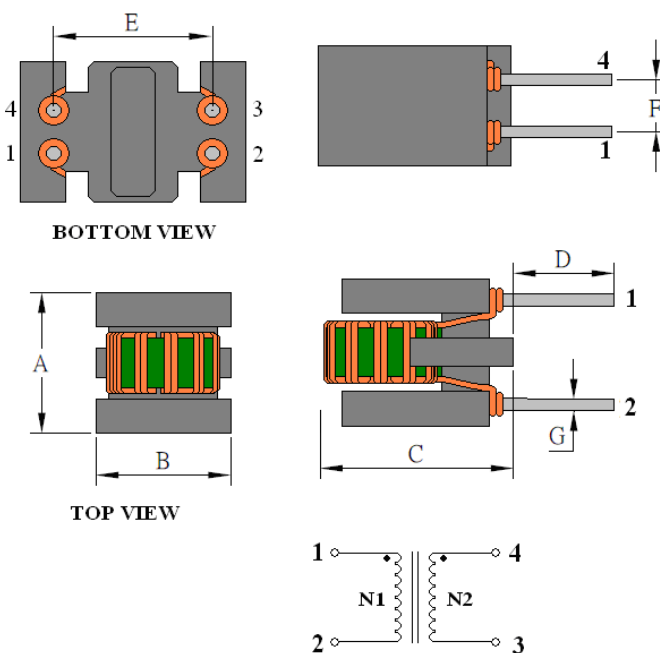
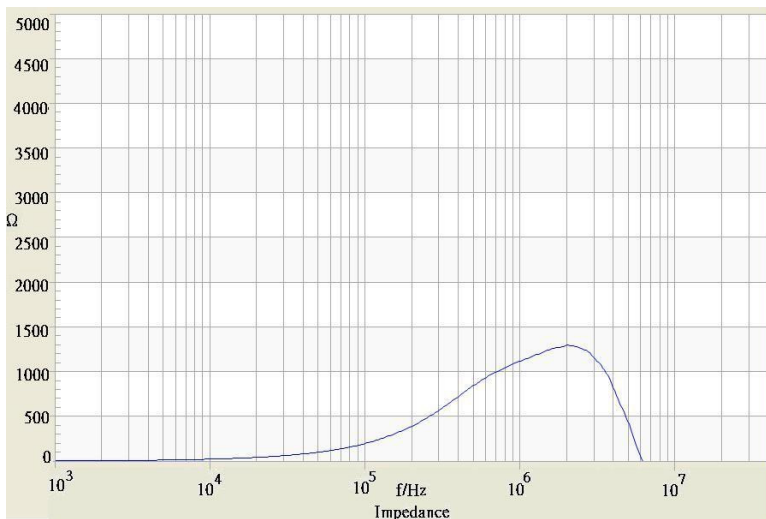


Common mode choke

Order code	TCK-128
Inductance	Pin 1-2: 277 $\mu\text{H} \pm 25\%$ (at 10 kHz / 50 mV) Pin 3-4: 277 $\mu\text{H} \pm 25\%$ (at 10 kHz / 50 mV)
Rated current	0.98 A max.
DCR	Pin 1-2: 59 m Ω Pin 3-4: 59 m Ω
Rated voltage	500 VDC
Operating temperature	-40 to +105°C

Impedance curve



Dimensions [mm]

A	7.5 max.
B	8.5 max.
C	10.5 max.
D	3.5 ±1.0
E	5.08 ±0.5
F	2.54 ±0.3
G	∅ 0.6 ±0.1