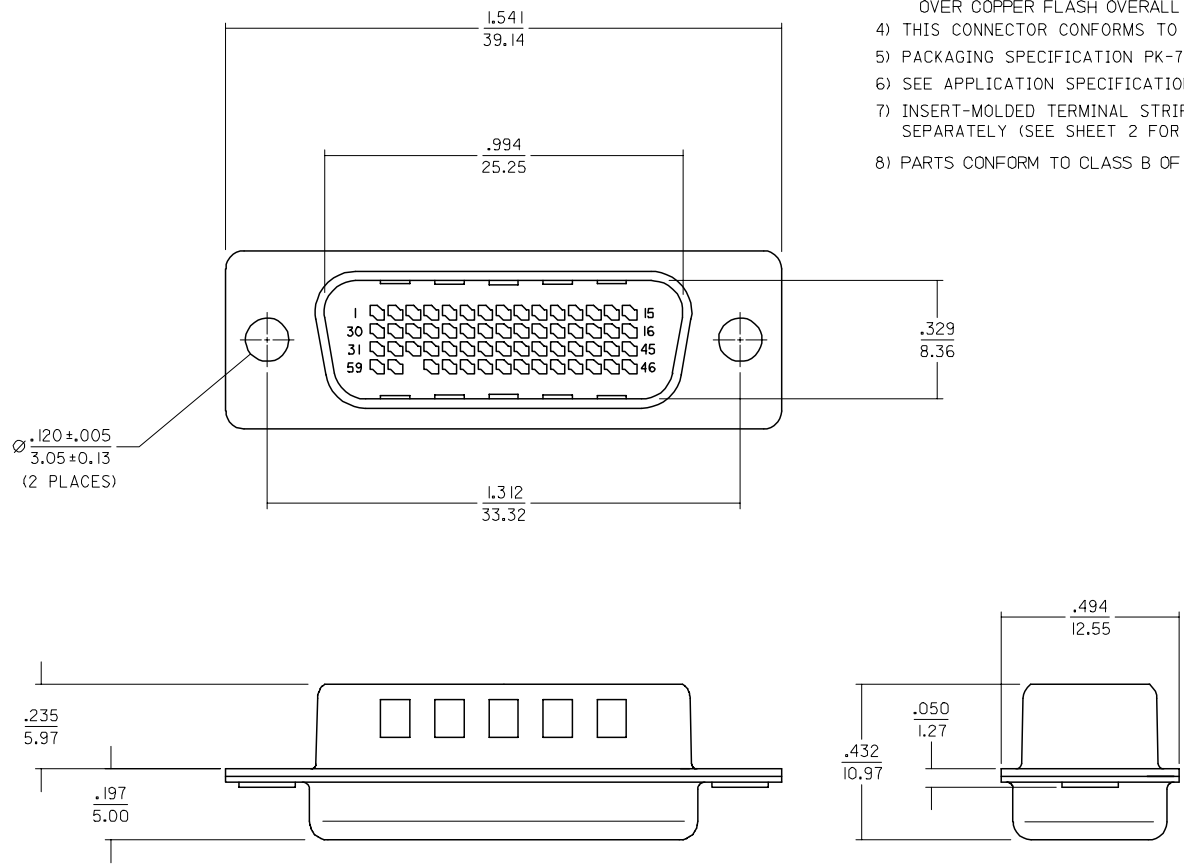


13 12 11 10 9 8 7 6 5 4 3 2 1

ITEM NUMBER	PRODUCT DESCRIPTION	FRONT SHELL PLATING
75135-1000	DMS-59 I/O PLUG CONNECTOR	BRIGHT TIN
75135-1009	DMS-59 I/O PLUG CONNECTOR	BRIGHT NICKEL

NOTES:

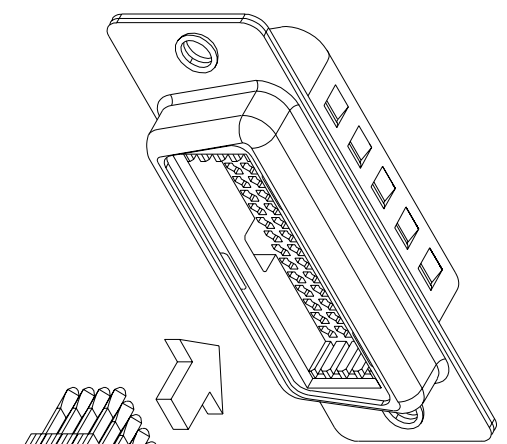
- 1) PLASTIC HOUSING:
GLASS FILLED LCP (LIQUID CRYSTAL POLYMER), UL94 V-0, COLOR: NATURAL.
- 2) FRONT SHELL:
DEEP DRAWN STEEL:
PLATING: SEE TABLE
BRIGHT TIN: 150-250 MICRONS BRIGHT TIN OVER 50-150 MICRONS NICKEL OVER COPPER FLASH OVERALL (OPTIONAL).
BRIGHT NICKEL: 100-175 MICRONS BRIGHT NICKEL OVER 50 MICRONS MAXIMUM COPPER OVERALL.
- 3) BACK SHELL:
DEEP DRAWN STEEL:
PLATING: 150-250 MICRONS BRIGHT TIN OVER 50-150 MICRONS NICKEL OVER COPPER FLASH OVERALL (OPTIONAL).
- 4) THIS CONNECTOR CONFORMS TO PRODUCT SPECIFICATION PS-75134-001.
- 5) PACKAGING SPECIFICATION PK-70873-0236 APPLIES.
- 6) SEE APPLICATION SPECIFICATION PS-70929 FOR ASSEMBLY AND TERMINATION DETAILS.
- 7) INSERT-MOLDED TERMINAL STRIP ASSEMBLIES ARE SUPPLIED SEPARATELY (SEE SHEET 2 FOR ORDERING INFORMATION).
- 8) PARTS CONFORM TO CLASS B OF COSMETIC SPECIFICATION PS-45499-002.



2	A
1	D
SHT	REV

ADD COSMETIC SPEC FC NO: UCP2007-2622 DRW: DMORGAN 2007/09/13 CHK: MSIBARRA 2007/09/13 APPR: SMILLER 2007/09/13	QUALITY SYMBOLS ▽=0 ▽=0	GENERAL TOLERANCES (UNLESS SPECIFIED) mm INCH 4 PLACES ± .010 ± .001 3 PLACES ± .015 ± .002 2 PLACES ± 0.25 ± .015 1 PLACE ± 0.38 ± .015 ANGULAR ± 1/2°	DIMENSION STYLE IN/MM DRAWN BY DATE DMORGAN 2002/10/17 CHECKED BY DATE BBARKER 2002/10/17 APPROVED BY DATE SMILLER 2002/10/17	SCALE 4:1 DESIGN UNITS INCH THIRD ANGLE PROJECTION	TITLE SALES DMS-59 I/O PLUG LFH .050/1.27 PITCH 59 CKT CABLE ASSY	MATERIAL NO. SD-75135-001	SHEET NO. 1 OF 2
		DRAFT WHERE APPLICABLE MUST REMAIN WITHIN DIMENSIONS	SEE TABLE	MOLEX INCORPORATED	MOLEX INCORPORATED		
		THIS DRAWING CONTAINS INFORMATION THAT IS PROPRIETARY TO MOLEX INCORPORATED AND SHOULD NOT BE USED WITHOUT WRITTEN PERMISSION					

12 11 10 9 8 7 6 5 4 3 2 1



PLUG CONNECTOR
75135-1000

70984-10**
(15 CIRCUIT STICK)
(3 REQUIRED PER ASSEMBLY)

INSERT MOLDED TERMINAL STICKS
SUPPLIED SEPARATELY
SEE SALES DRAWING SDA-70984-100* FOR 70984-10**
SEE SALES DRAWING SD-70984-100 FOR 70984-109*
NOTE: STICKS SHOWN WITH CARRIER REMOVED

70984-109*
(14 CIRCUIT STICK)
(1 REQUIRED PER ASSEMBLY)

REV	DESCRIPTION	QUALITY SYMBOLS	GENERAL TOLERANCES: (UNLESS SPECIFIED)	SCALE	DESIGN UNITS	THIRD ANGLE PROJECTION	TITLE	MATERIAL NO.	DRAWING NO.	SHT	REV
A	INITIAL RELEASE EC No. UCP2003-0543 DRWN:DMORGAN 02/10/17 CHK: BBARKER 02/10/17 APPR: SMILLER 02/10/17	MAJOR CRITICAL C/	MM INCH ±0.1 ±.01 ±0.25 ±.015 ±0.38 ±.015 ANGULAR: ±1/2°	1:1	MM INCH	MM INCH	SALES DMS-59 1/0 PLUG LFH .050/1.27 PITCH 59 CKT CABLE ASSY	MOLEX INCORPORATED	SD-75135-001	2	2
DIMENSIONS: <input type="checkbox"/> MM <input checked="" type="checkbox"/> INCH <input type="checkbox"/> MM ONLY <input type="checkbox"/> INCH ONLY DRAFT WHERE APPLICABLE MUST REMAIN WITHIN DIMENSIONS THIS DRAWING CONTAINS INFORMATION THAT IS PROPRIETARY TO MOLEX INCORPORATED AND SHOULD NOT BE USED WITHOUT WRITTEN PERMISSION. SHEET NO. 2 OF 2 SIZE C											