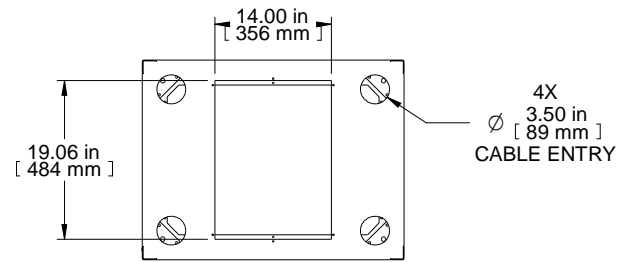
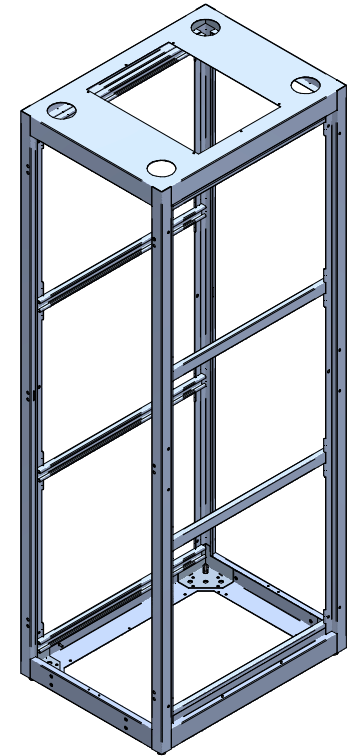


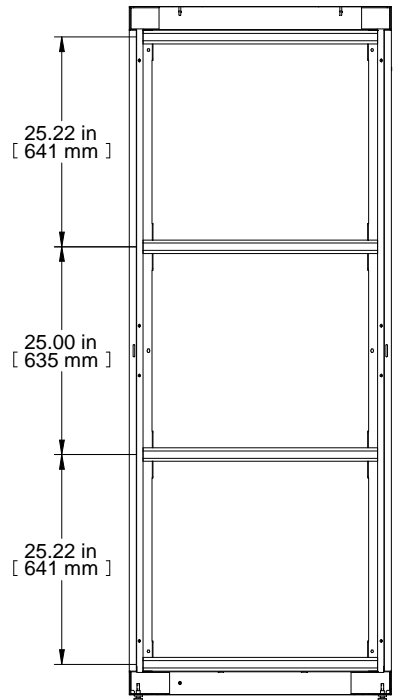
SECTION C-C



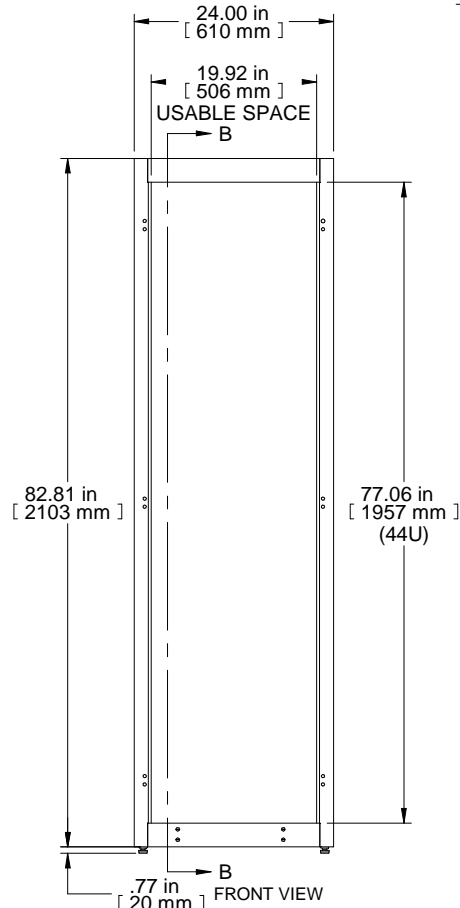
TOP VIEW
TOP OPENING



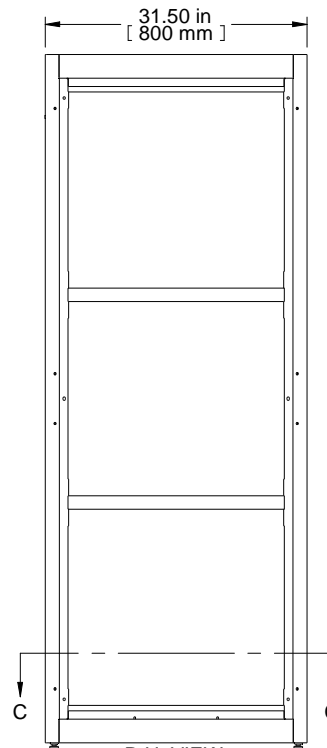
ISOMETRIC



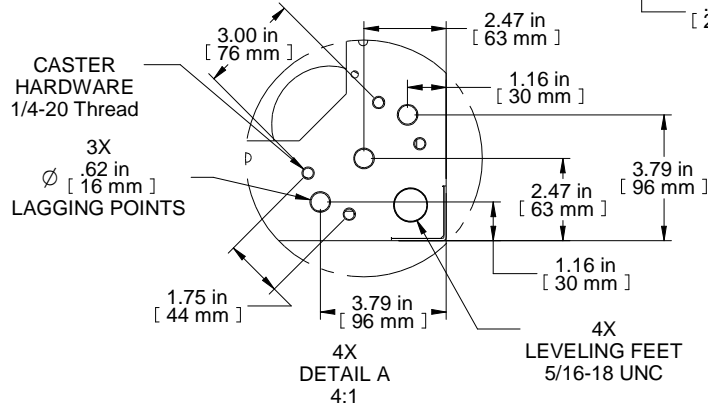
SECTION B-B



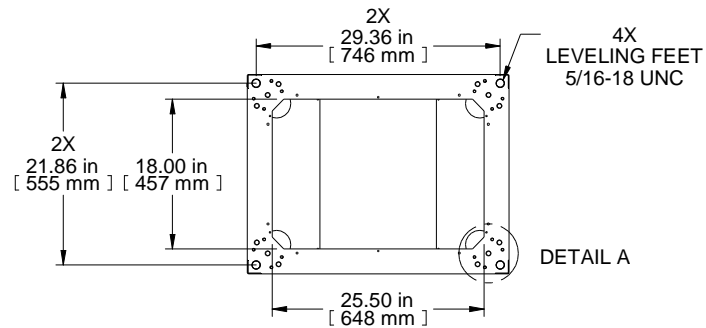
FRONT VIEW



R.H. VIEW



DETAIL A
4:1



DETAIL A
BOTTOM VIEW
BOTTOM OPENING

PART NUMBERS	
C4F247731BK1	PAINTED BLACK TEXTURE
NOTES	
Welded Assembly. Cable entry plugs included. See Hammond Website for Frame Accessories.	
Français	
Pour tous les détails sur nos produits, svp veuillez consulter notre site www.hammondmfg.com	
Data subject to change without notice. Isometric drawing not to scale. Les données sont sujettes à changement sans préavis.	
	HAMMOND MANUFACTURING® www.hammondmfg.com
PART NO. C4F247731	