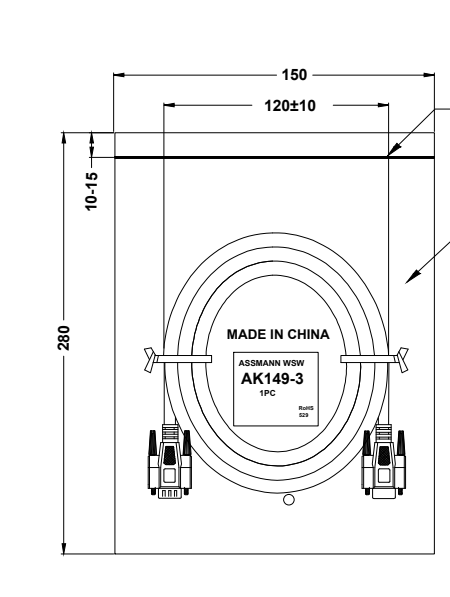


PIN ASSIGNMENT

P1		P2
1	black	8
2	grey	2
3	yellow	3
4	purple	6
5	orange	7
6	red	20
7	brown	5
8	green	4
9	blue	22
SHELL	drain	SHELL



Electrical test:

- 100% short , open, miswire test
- Conduct resistance: 2Ω max.
- Insulation resistance: 5MΩ min.
- Hi-Pot: 300V DC

⑩	S/R	5.5g	BEIGE 45P PVC
⑨	TUBE	50mm	HEAT SHRINK TUBE BLACK OD 1.5MM
⑧	PE BAG	1/10	CLEAR SIZE: 360*380*0.05mm, PRINT BLACK*MADE IN CHINA*+*10PC"
⑦	PE BAG	1	CLEAR SIZE: 150*280*0.05mm, PRINT BLACK*MADE IN CHINA*+*1PC"
⑥	SCREW	4	SCREW:#4-40UNC L12.5mm,nickel plated
⑤	DKN	1	DB9P DKN W/O NUT BEIGE
④	DKN	1	DB25P DKN W/O NUT BEIGE
③	CABLE	1	NOUL 28AWG*9C+D.W+AL/MY,BEIGE,OD5.0mm
②	CONN	1	DB 25PIN MALE PIN G/F SHELL-NIKEL SOLDER TYPE INSULATION COLOR BLUE
①	CONN	1	DB 9PIN FEMALE PIN G/F SHELL-NIKEL SOLDER TYPE INSULATION COLOR BLUE
No.	NAME	QTY	DESCRIPTION

RoHS compliant
Unit: mm

Scale	FREE					Date	Name	Customer-No.
TOLERANCE						Drawn	17.11.2014	Joanna
						Approved	17.11.2014	Joanna
								ASSMANN WSW-No. AK149-3
DIM	TOL							Drawing-No. ASS 7237 CA
		①	Drawn	17.11.2014	Joanna	ASSMANN WSW components		rev00
Angle	TOL	Id.	Modification	Date	Name			Replace