

THIS DRAWING IS UNPUBLISHED.

RELEASED FOR PUBLICATION

-. - .

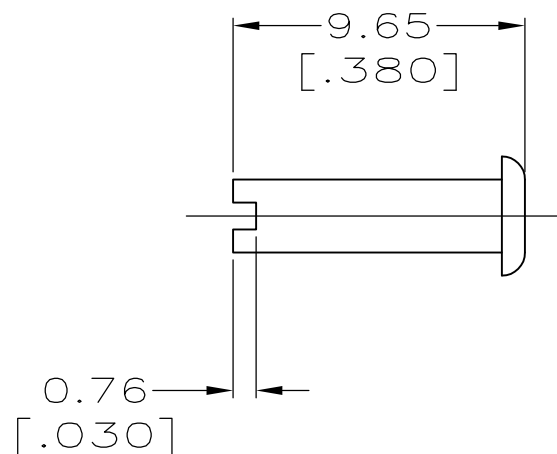
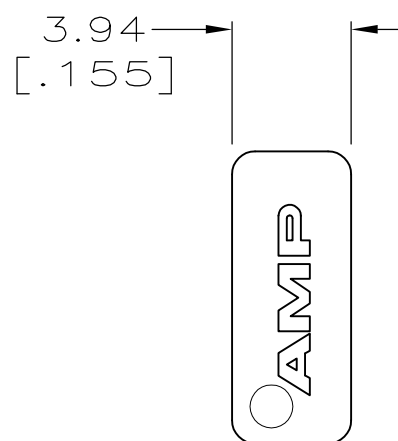
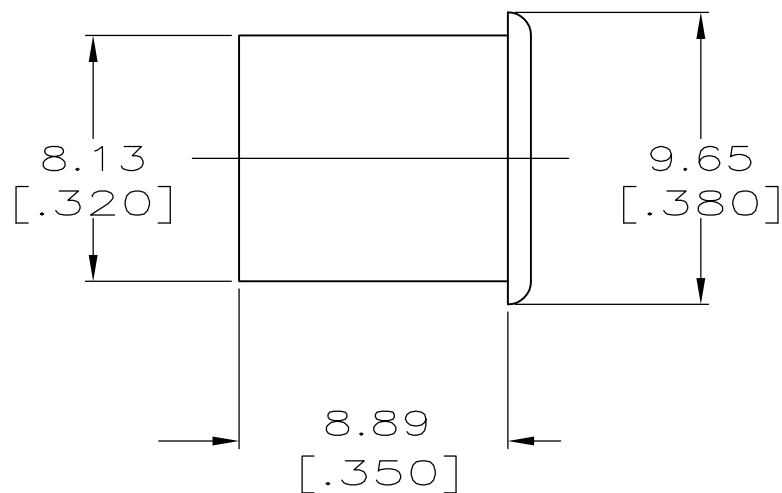
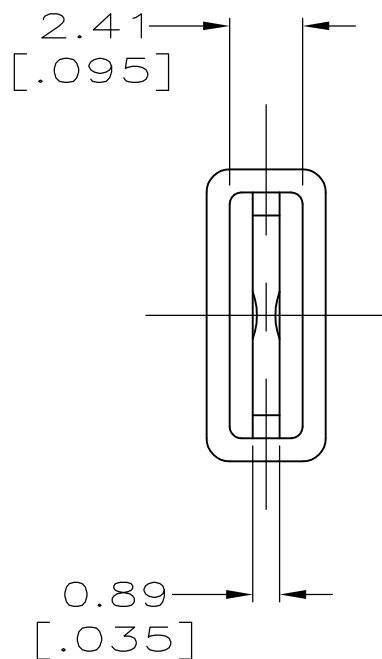
© COPYRIGHT - By -

ALL RIGHTS RESERVED.

LOC AF DIST 50

REVISIONS

P	LTR	DESCRIPTION	DATE	DWN	APVD
	D2	REVISED PER ECO-11-004917	11MAR11	RK	HMR



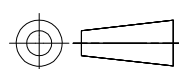
1 TO FIT ANY STANDARD 6.35 [.250] SERIES TAB 0.81 [.032] THICK.

2 PRELIMINARY - NOT FOR PRODUCTION

NATURAL	NYLON 6/6, V0	2 360042-3
BLACK	NYLON 6/6, V2	2 360042-2
NATURAL	NYLON 6/6, V2	360042-1
COLOR	MATERIAL	PART NO.

THIS DRAWING IS A CONTROLLED DOCUMENT.

DIMENSIONS: mm



TOLERANCES UNLESS OTHERWISE SPECIFIED:

0 PLC	± -
1 PLC	± -
2 PLC	± 0.38 [.015]
3 PLC	± -
4 PLC	± -
ANGLES	± -

MATERIAL SEE TABLE

FINISH SEE TABLE

DWN 12/15/98

CHK 12/15/98

APVD 12/15/98

MS FEHER

S UNGER

PRODUCT SPEC

APPLICATION SPEC

WEIGHT -

CUSTOMER DRAWING

12/15/98

TE Connectivity

NAME

CAP, TAB, 6.35 [.250] SERIES

SIZE CAGE CODE DRAWING NO RESTRICTED TO

A3 00779 C-360042

SCALE 4:1 SHEET 1 OF 1 REV D2