

# Customer Information Sheet

DRAWING No.: S2751-46R

SHEET 2 OF 2

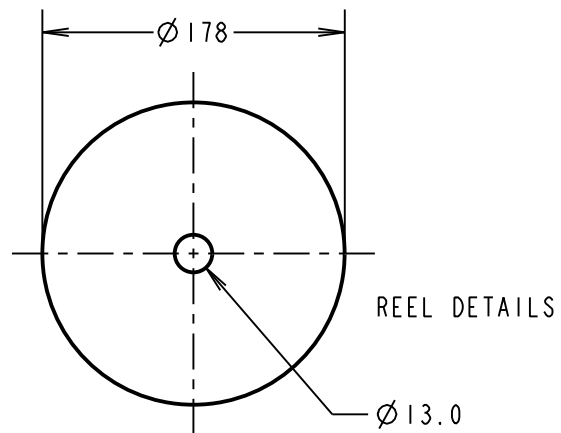
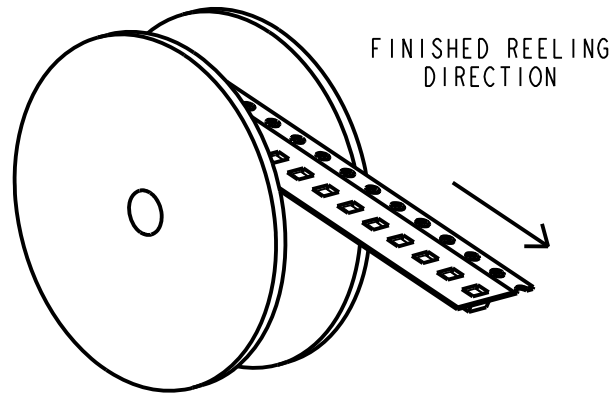
IF IN DOUBT - ASK

©

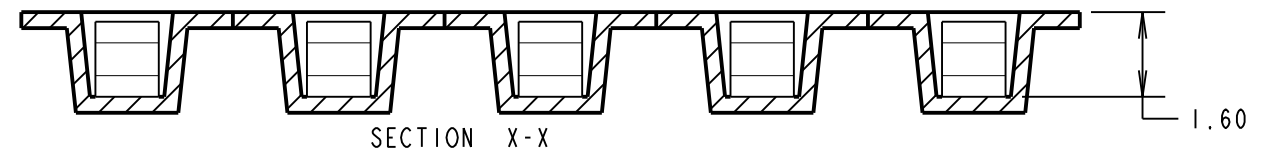
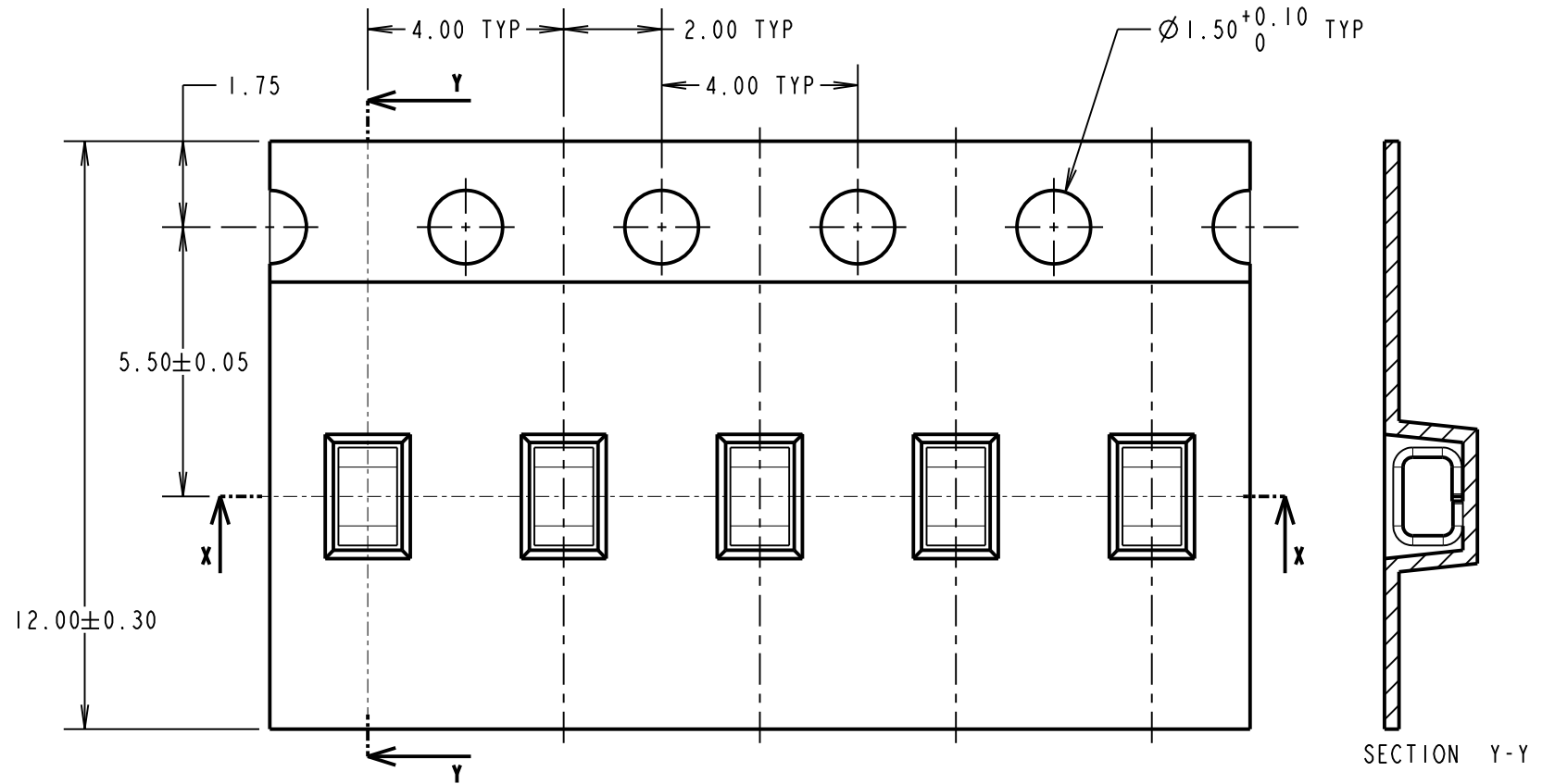
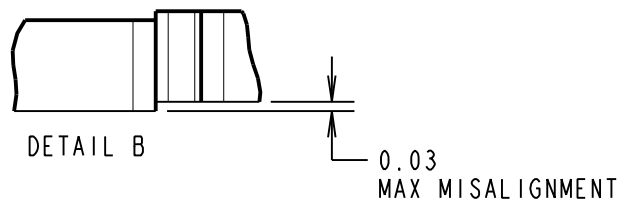
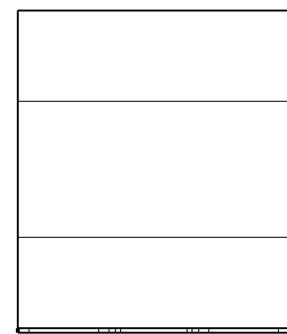
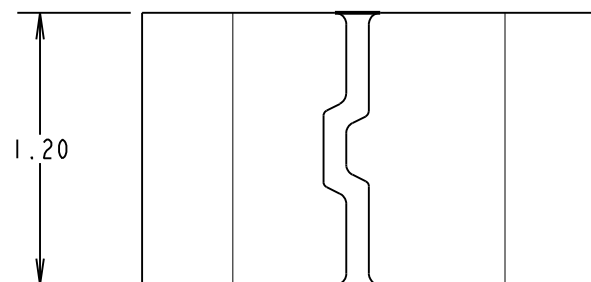
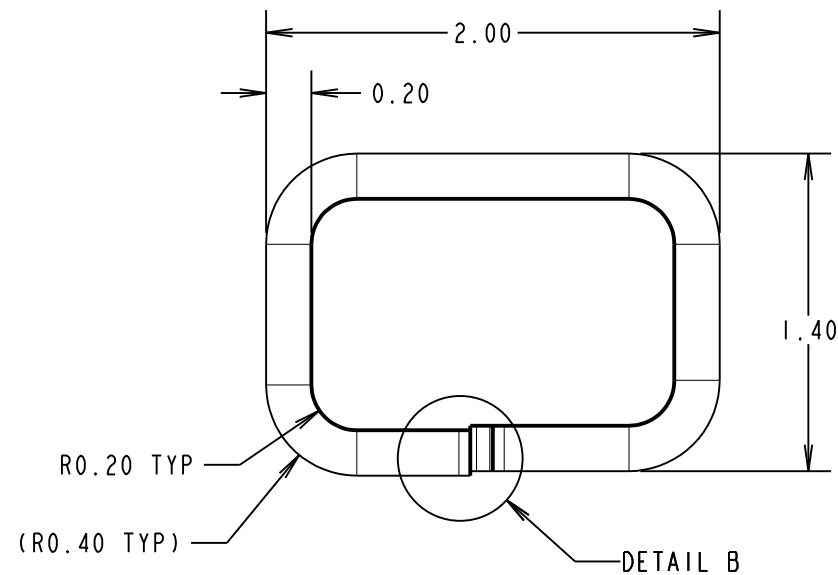
NOT TO SCALE

THIRD ANGLE PROJECTION

ALL DIMENSIONS IN mm

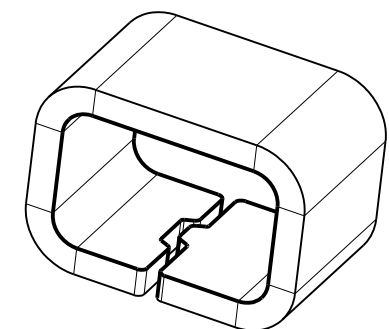
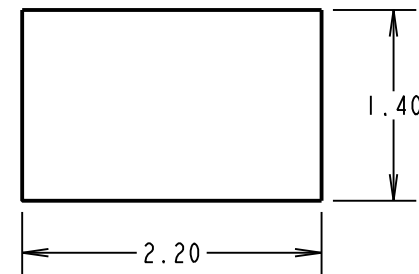


SPECIFICATIONS:  
 FINISH:  
 4μ MIN 100% TIN OVER 2μ MIN NICKEL  
 ELECTRICAL:  
 CURRENT RATING = 3.5A  
 CONTACT RESISTANCE = 20mΩ MAX  
 ENVIRONMENTAL:  
 OPERATING TEMPERATURE = -55°C TO +125°C



NOTES:  
 1. QUANTITY OF COMPONENTS PER REEL = 2500.

RECOMMENDED PCB LAYOUT



SB	I	02.04.15	12882
NAME	ISS.	DATE	C/NOTE
APPROVED:	S.BENNETT		
CHECKED:	M.PLESTED		
DRAWN:	S.BENNETT		
CUSTOMER REF.:			
ASSEMBLY DRG:			

## HARWIN

www.harwin.com  
 technical@harwin.com

THIS DRAWING AND ANY INFORMATION OR DESCRIPTIVE MATTER SET OUT HEREON ARE CONFIDENTIAL AND COPYRIGHT PROPERTY OF THE HARWIN GROUP AND MUST NOT BE DISCLOSED, LOANED, COPIED OR USED FOR MANUFACTURING, TENDERING OR FOR ANY OTHER PURPOSE WITHOUT THEIR WRITTEN PERMISSION.

TOLERANCES  
 X. = ±1mm  
 X.X = ±0.50mm  
 X.XX = ±0.10mm  
 X.XXX = ±0.01mm  
 ANGLES = ±5°  
 UNLESS STATED

MATERIAL:  
 BRASS  
 0.20mm THICK  
 FINISH: SEE ABOVE  
 S/AREA: 15.6 mm<sup>2</sup>

TITLE:  
 SMT TEST TERMINAL

DRAWING NUMBER:  
 S2751-46R

SHT  
 2 OF 2