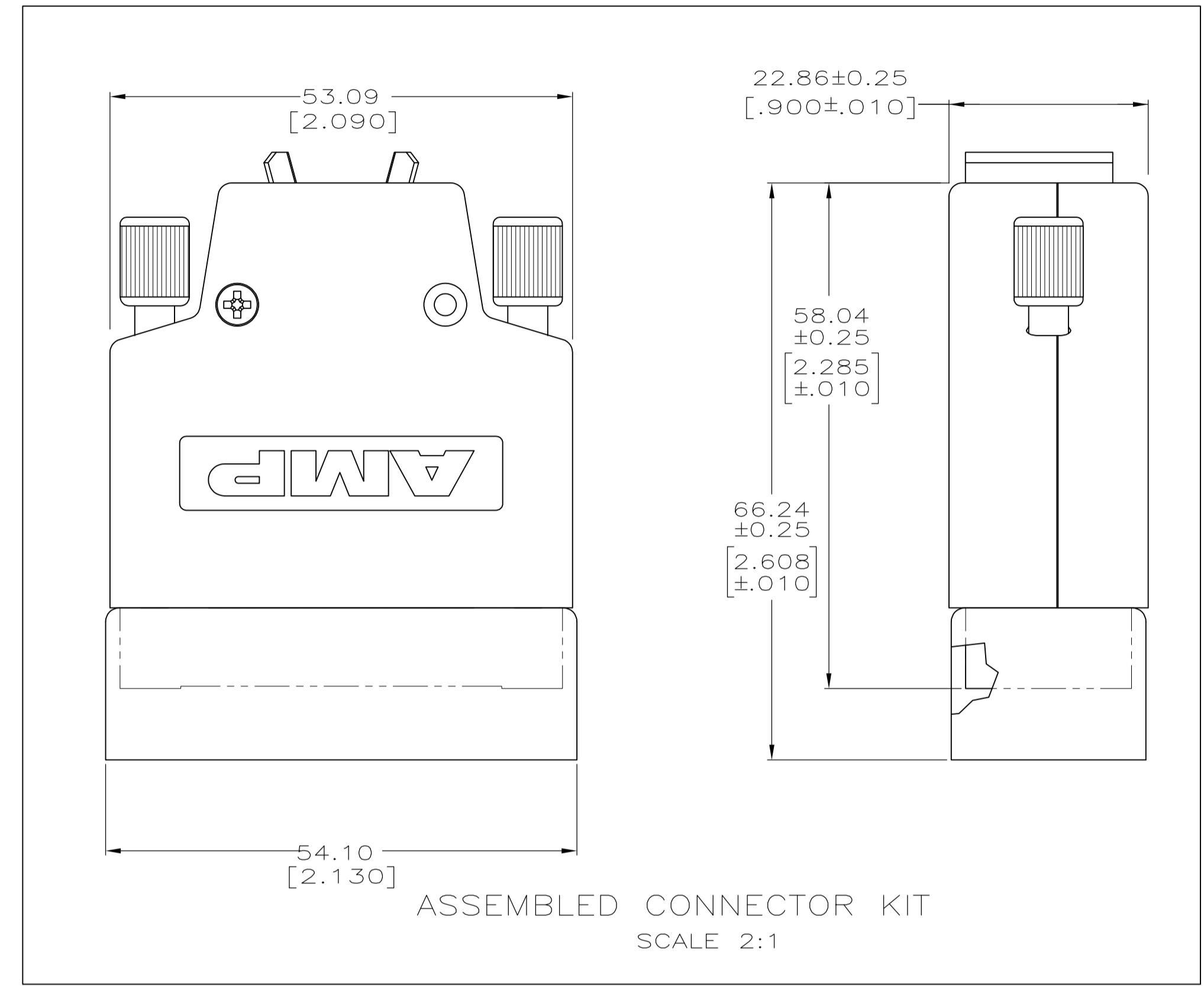
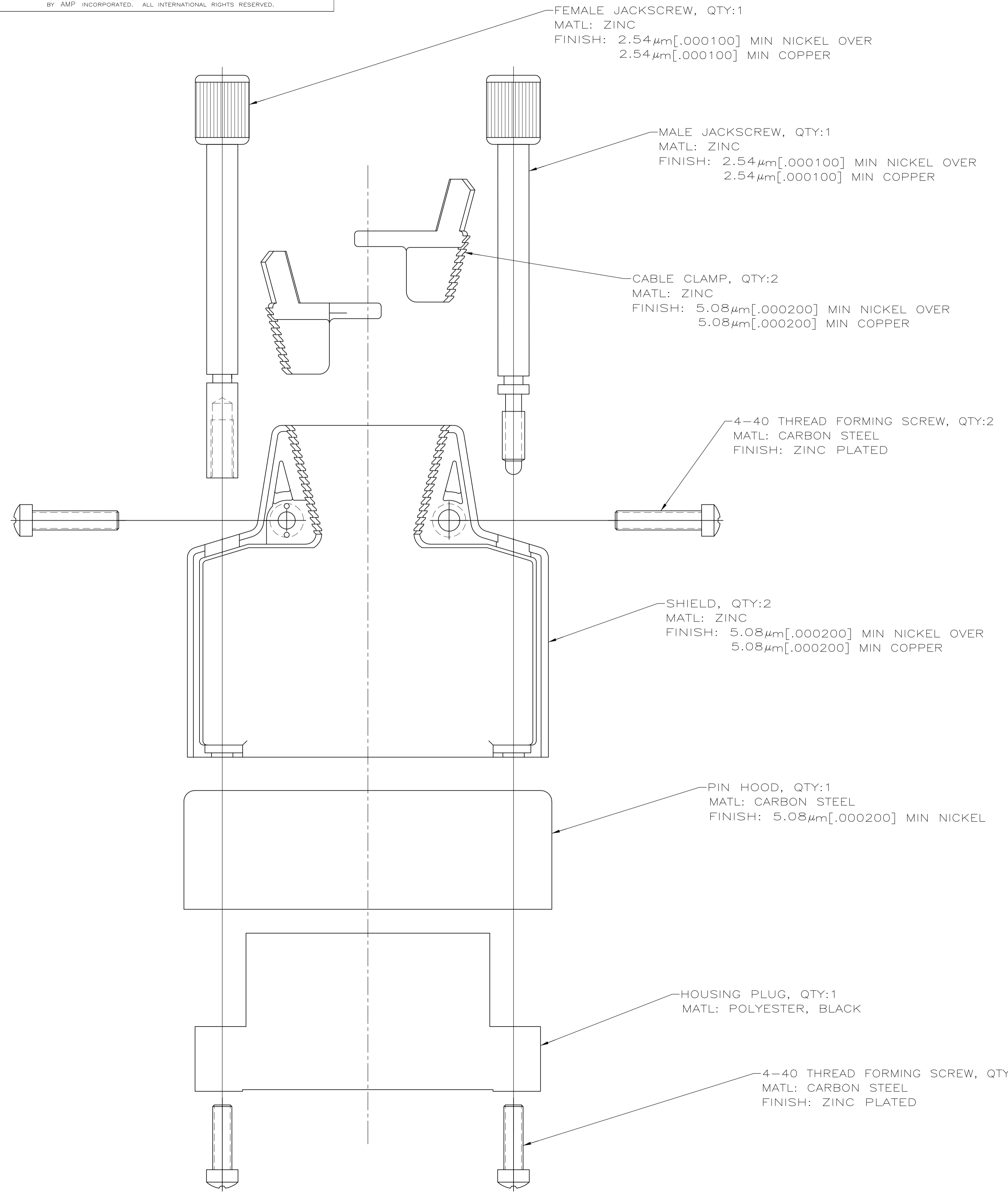


LOC		DIST		REVISIONS				
FT	8	P	F	ZONE	LTR	DESCRIPTION	DATE	APPD
				A		REV PER EC 0020-268-95	03/27/95	TC
				B		ADDED -3 PER EC 002-283-96	15 MAR 96	MM
				C		REV PER EC 0320-163-96	08 JAN 97	MM
				C1		REVISED PER ECO-09-021826	07 JAN 10	AEG



1 OBSOLETE PARTS: OBSOLETE CIS STREAMLINING PER D.RENAUD/D.SINISI

1 OBSOLETE	10.16-15.24 [.400-.600]	213804-3
	6.35-10.16 [.250-.400]	213804-2
	3.81-7.62 [.150-.300]	213804-1
	CABLE DIAMETER	PART NO

DO NOT SCALE PRINT. UNLESS SPECIFIED		DR 08-16-94 D.BROCKWAY		AMP Incorporated Harrisburg, PA 17105-3608	
DIMENSIONS IN mm [INCHES]		CHK 10-05-94 R.STONE			
TOLERANCES ON :		APPD 10-06-94 T.COULSON		NAME	
2 PLC DEC ± 0.13[.005]		APPD 10-06-94 T.COULSON		CONNECTOR KIT, UNASSEMBLED, 34 POSITION, V.35, M SERIES	
3 PLC DEC ± -		APPD 10-06-94 T.COULSON		SIZE	
ANGLES ± -		PRODUCT SPEC		D 00779	
MATERIAL		APPLICATION SPEC		CAGE CODE	
SEE CALLOUTS		-		DRAWING NO	
FINISH		-		213804	
SEE CALLOUTS		WEIGHT		SCALE	
-		-		3:1	
				SHEET	
				1 OF 1	