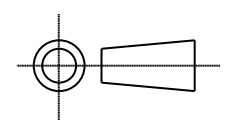


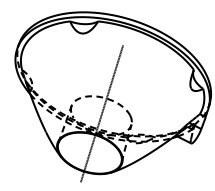
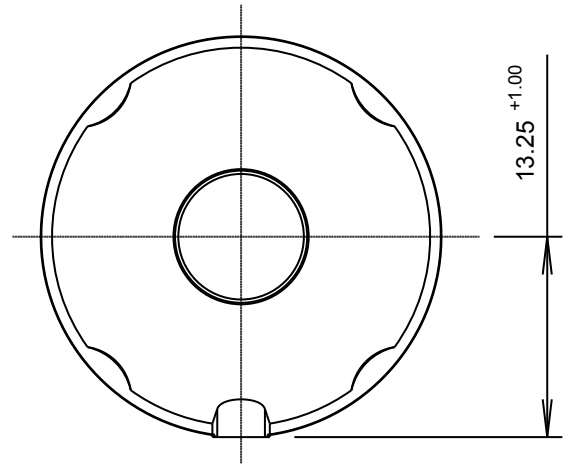
ISS.	DATE	E.C.N.	DESCRIPTION
1	01-Aug-08		FIRST RELEASE

© 2008 CARCLO
ALL DIMENSIONS IN mm



CARCLO TECHNICAL PLASTICS (SLOUGH) LTD.
111 BUCKINGHAM AVE, SLOUGH
SL1 4PF, ENGLAND
TEL: +44 1753 575011 FAX: +44 1753 811359
e-mail: design@ctcoil.co.uk}

CUSTOMER DRAWING



SCALE 1:1
GENERAL VIEW

GENERAL TOLERANCES (UNLESS STATED)

LINEAR	ANGULAR
X +/- 0.25	X +/- 1°
X.X +/- 0.1	X.X +/- 0.5°
X.XX +/- 0.05	X.XX +/- 0.1°

CUSTOMER

TITLE

26.5mm OPTIC 0.8mm OFFSET
NARROW FROSTED

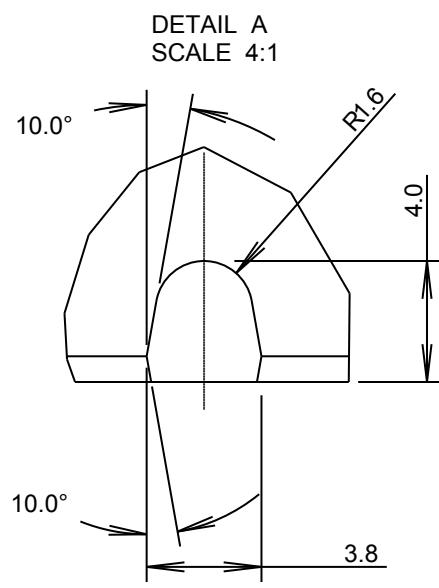
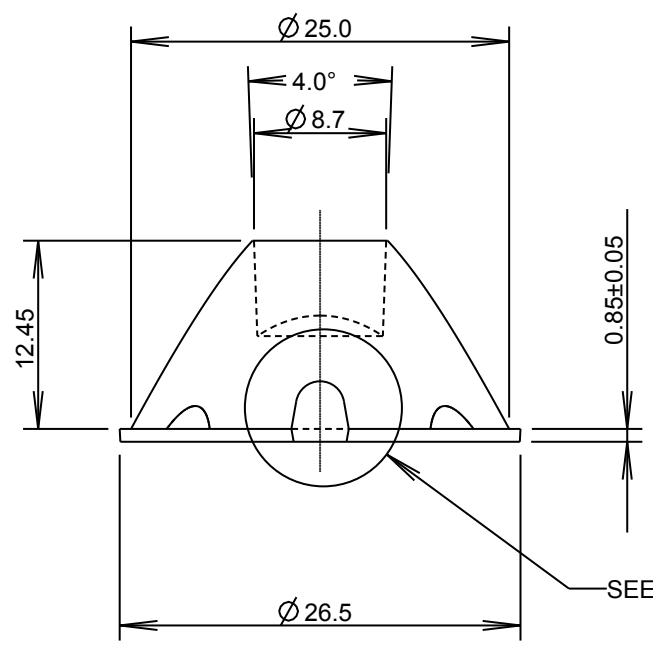
DRAWN M.K. DATE 01-Aug-08

CHK'D DATE

APP'D DATE

SCALE	COIL PART No.
2:1	10392

SIZE	COIL DRG. No.	SHEET
A4	60508	1 OF 1



MATERIAL: POLYCARBONATE