

4

3

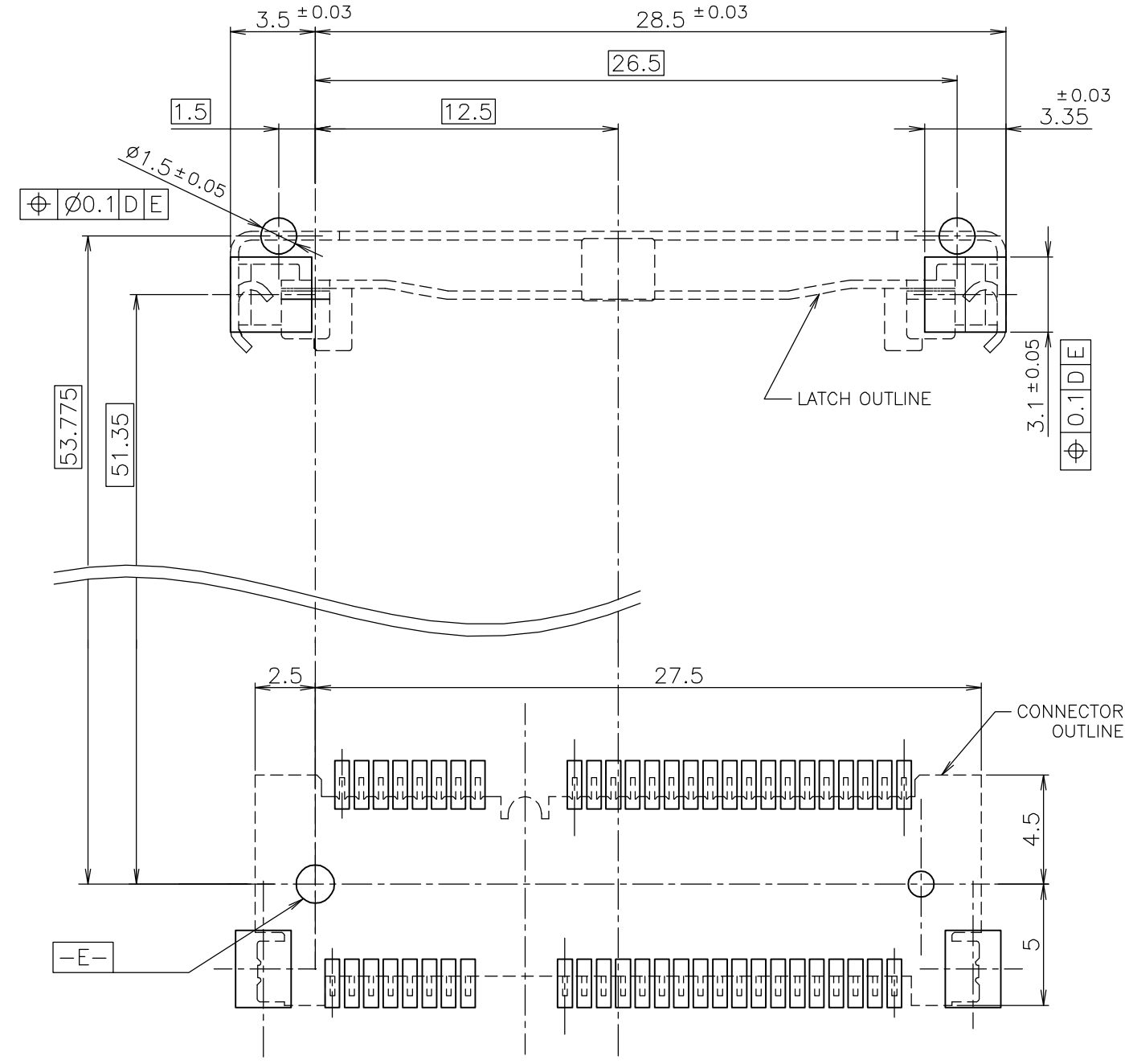
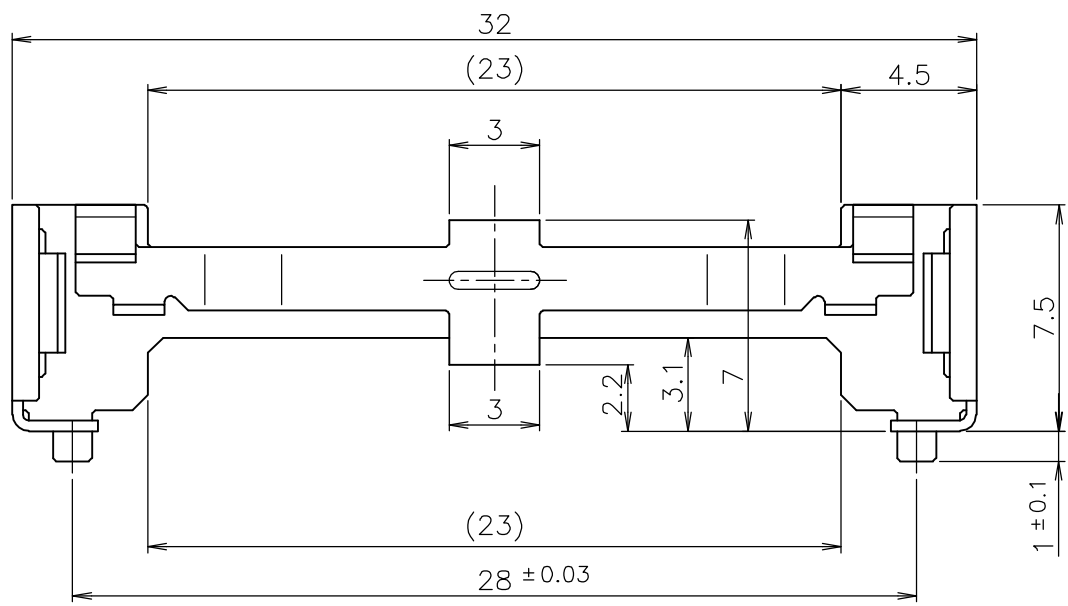
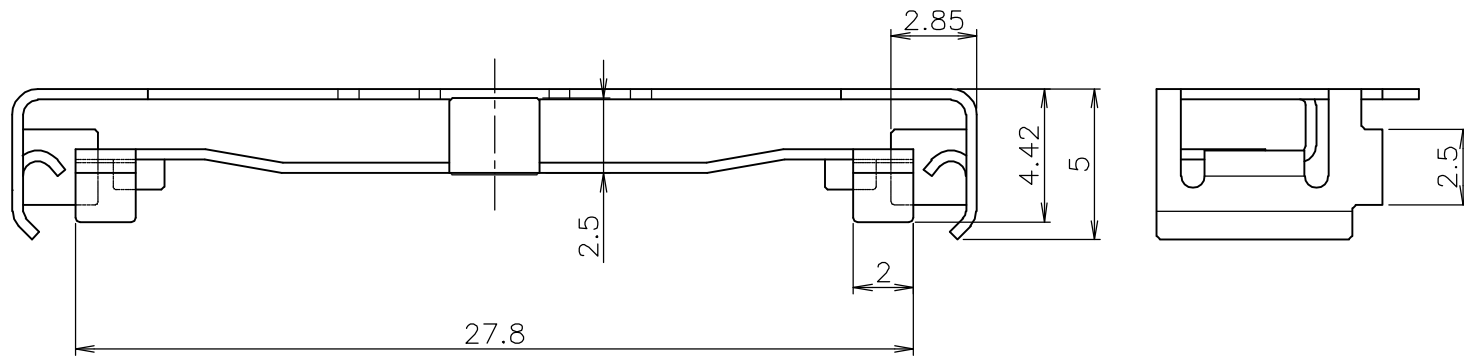
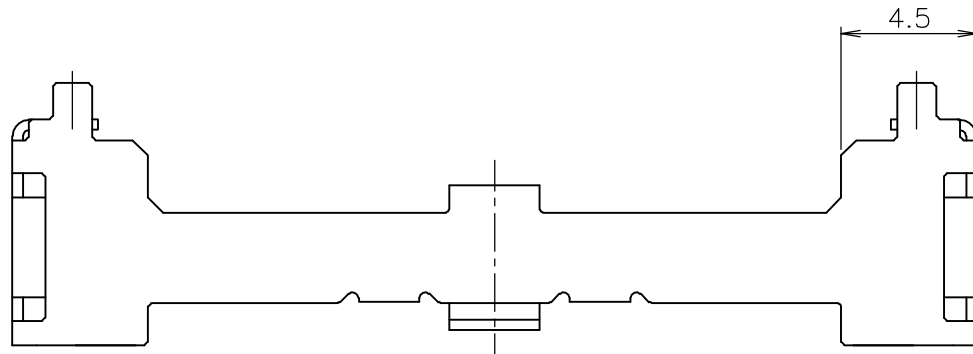
2

1

THIS DRAWING IS UNPUBLISHED. RELEASED FOR PUBLICATION JAN 2006.

© COPYRIGHT 2006 BY TYCO ELECTRONICS CORPORATION. ALL RIGHTS RESERVED.

LOC	DIST	REVISIONS					
J		P	LTR	DESCRIPTION	DATE	DWN	APVD
		A		RELEASED	14FEB06	T.K	T.S



NOTE  
 1. MATERIAL : STAINLESS STEEL  
 2. FINISH : TIN PLATING ALL OVER NICKEL  
 3. [D] IS THE TOP SURFACE OF PCB.

H7	1827682-1
HEIGHT	PART NUMBER
TOLERANCES UNLESS OTHERWISE SPECIFIED 一般公差 10? : ± 0.2 30? >10 : ± 0.25 100? >10 : ± 0.3 ANGLES ± 3°	

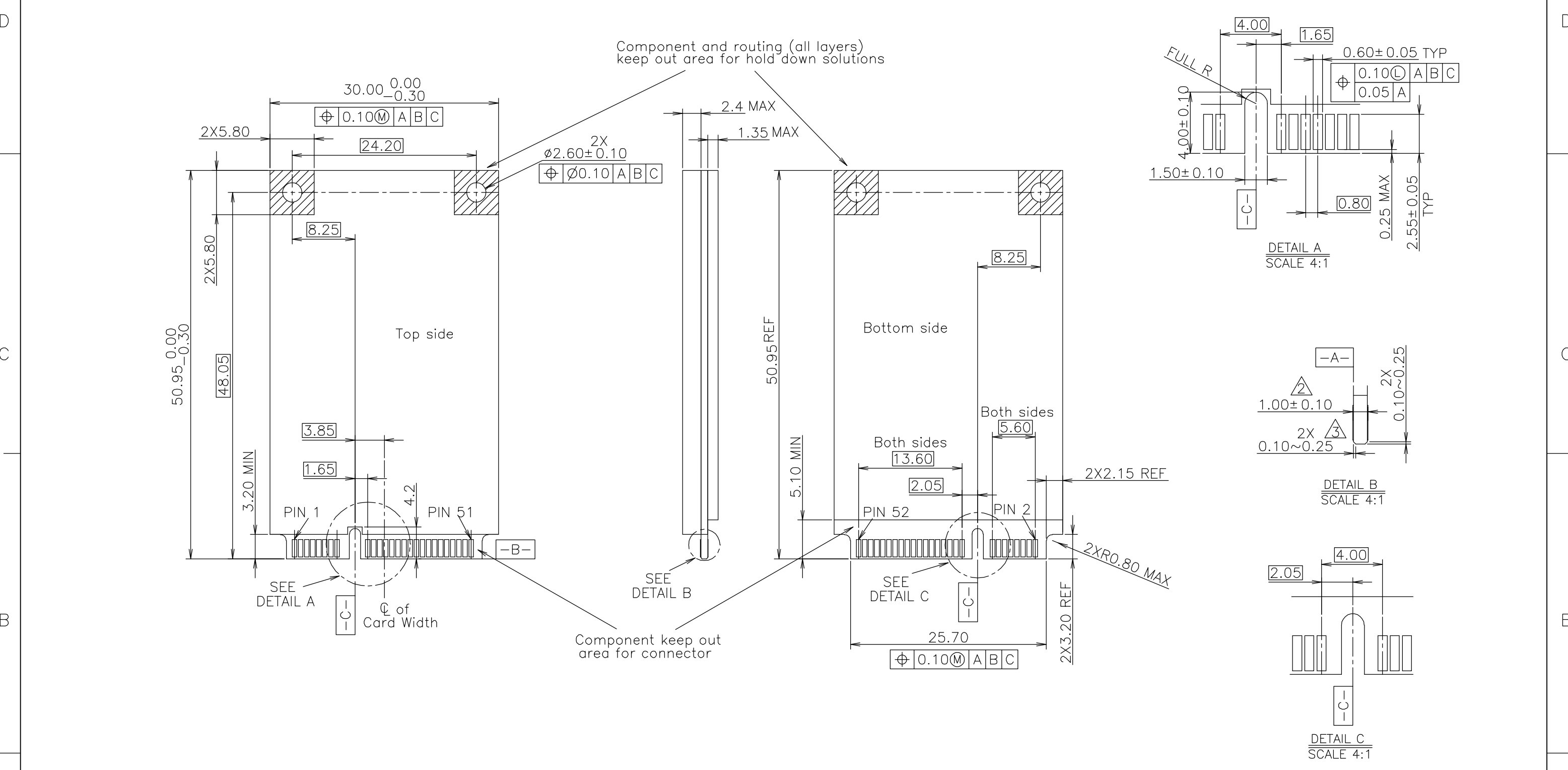
THIS DRAWING IS A CONTROLLED DOCUMENT.	
DIMENSIONS: MM	TOLERANCES UNLESS OTHERWISE SPECIFIED:
	0 PLC ± 1 PLC ± 2 PLC ± 3 PLC ± 4 PLC ± ANGLES ± FINISH ±
MATERIAL	

DWN	T.KAWAMAE	17JAN06
CHK	T.SASAKI	17JAN06
APVD	T.SASAKI	17JAN06
PRODUCT SPEC	108-78302	
APPLICATION SPEC		
WEIGHT	-	
CUSTOMER DRAWING		

<b>tyco</b> Electronics		Tyco Electronics AMP K.K. Kawasaki, Japan	
NAME LATCH MINI PCI EXPRESS CONNECTOR			
SIZE	CAGE CODE	DRAWING NO	RESTRICTED TO
A3	00779	C-1827682	-
SCALE 4:1		SHEET 1 OF 3	REV A

THIS DRAWING IS UNPUBLISHED. RELEASED FOR PUBLICATION JAN 2006.  
 © COPYRIGHT 2006 BY TYCO ELECTRONICS CORPORATION. ALL RIGHTS RESERVED.

LOC	DIST	REVISIONS			
P	LTR	DESCRIPTION	DATE	DWN	APVD
J		SEE SHEET 1	-	-	-

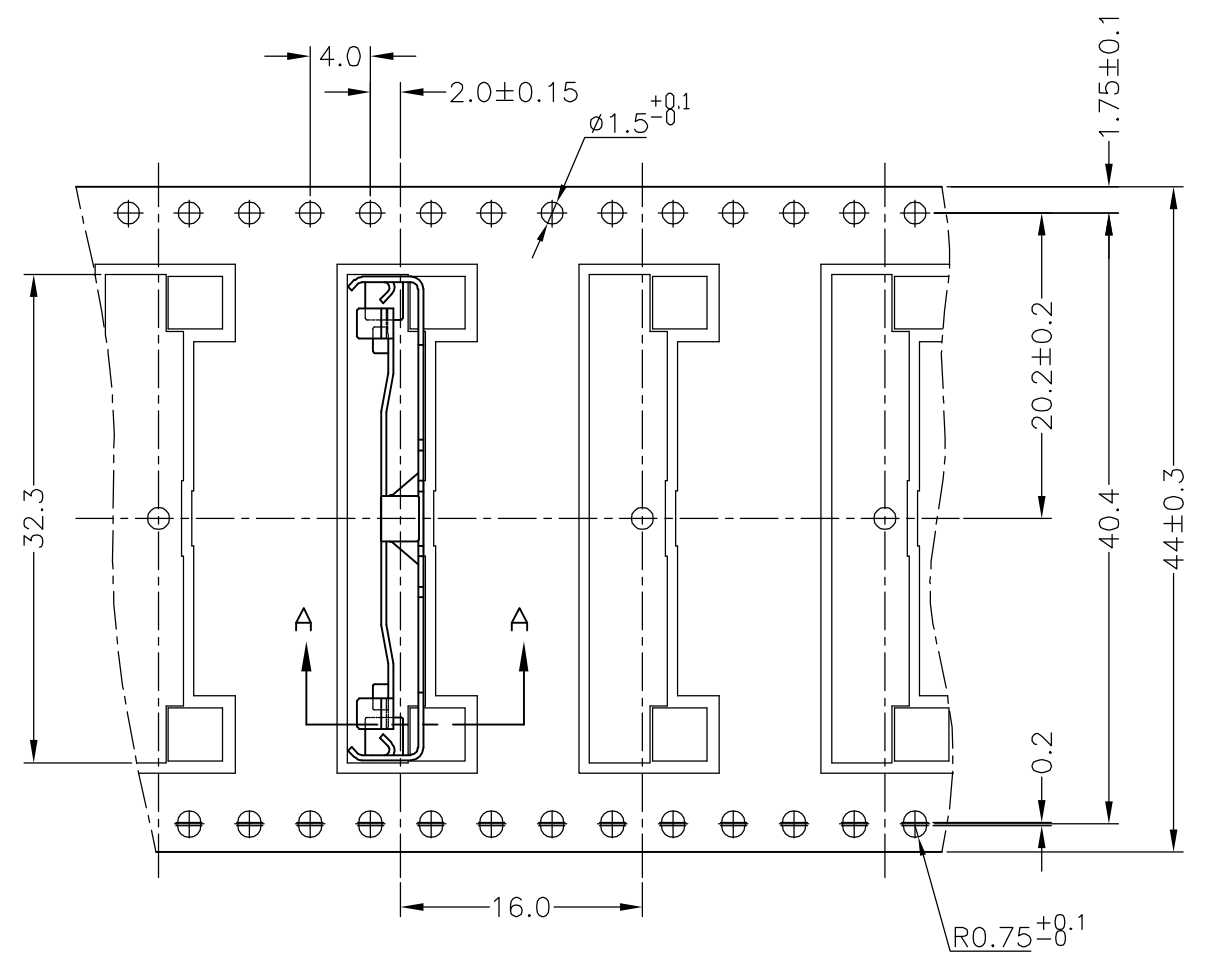


NOTES  
 1. PCI EXPRESS MINI CARD, PCB THICKNESS 1.0MM.  
 2. CARD THICKNESS APPLIES ACROSS TABS AND INCLUDES PLATING AND/OR METALIZATION.  
 3. BEVEL MUST BE FREE OF CUTTING BURRS.

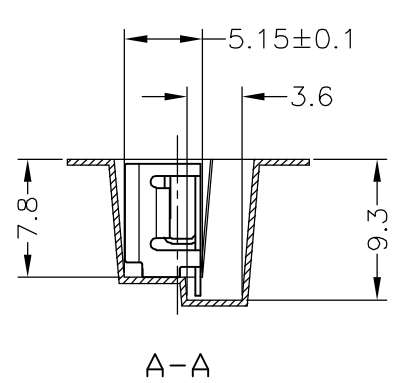
THIS DRAWING IS A CONTROLLED DOCUMENT.		DWN -		Tyco Electronics AMP K.K. Kawasaki, Japan			
DIMENSIONS: MM		CHK -					
TOLERANCES UNLESS OTHERWISE SPECIFIED:		APVD -		NAME			
0 PLC ±		PRODUCT SPEC		LATCH MINI PCI EXPRESS CONNECTOR			
1 PLC ±		APPLICATION SPEC					
2 PLC ±		WEIGHT -		SIZE	CAGE CODE	DRAWING NO	RESTRICTED TO
3 PLC ±		CUSTOMER DRAWING		A3	00779	C-1827682	-
4 PLC ±		SCALE		2:1	SHEET 2 OF 3		REV A
ANGLES ±		SHEET		2 OF 3		REV A	
FINISH ±		REV		A			

THIS DRAWING IS UNPUBLISHED. RELEASED FOR PUBLICATION JAN 2006.  
 © COPYRIGHT 2006 BY TYCO ELECTRONICS CORPORATION. ALL RIGHTS RESERVED.

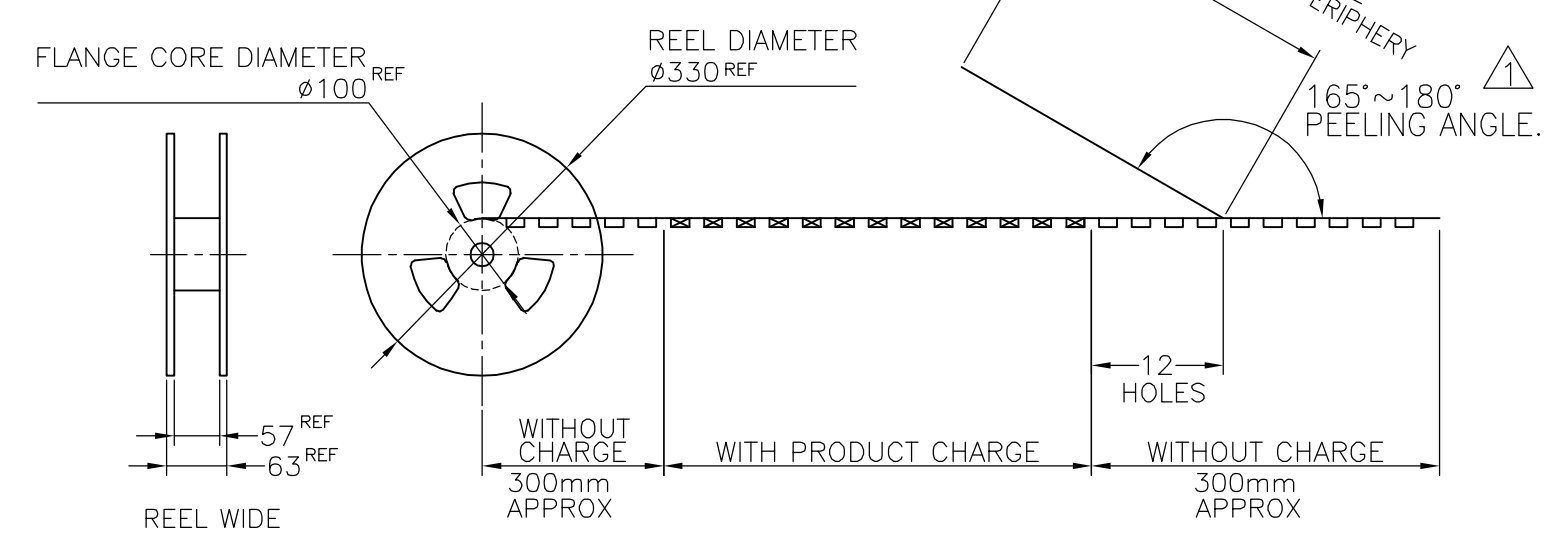
LOC	DIST	REVISIONS					
		P	LTR	DESCRIPTION	DATE	DWN	APVD
J			-	SEE SHEET 1	-	-	-



△ PEELING RESISTANCE: 0.1~0.3N  
 SPEED: 300mm/min.



TOP OF REEL →



300EA	8-912103-4	1827682-1
QTY/REEL	EMBOSS TAPE P/N	P/N

THIS DRAWING IS A CONTROLLED DOCUMENT.		DWN	tyco Tyco Electronics AMP K.K. Kawasaki, Japan		
DIMENSIONS: MM		CHK	NAME		
TOLERANCES UNLESS OTHERWISE SPECIFIED:		APVD	LATCH MINI PCI EXPRESS CONNECTOR		
0 PLC ±		PRODUCT SPEC	SIZE	CAGE CODE	DRAWING NO
1 PLC ±		APPLICATION SPEC	A3	00779	C-1827682
2 PLC ±		WEIGHT	RESTRICTED TO		
3 PLC ±			CUSTOMER DRAWING		
4 PLC ±			SCALE	SHEET	REV
ANGLES ±			4:1	3 OF 3	A
FINISH					