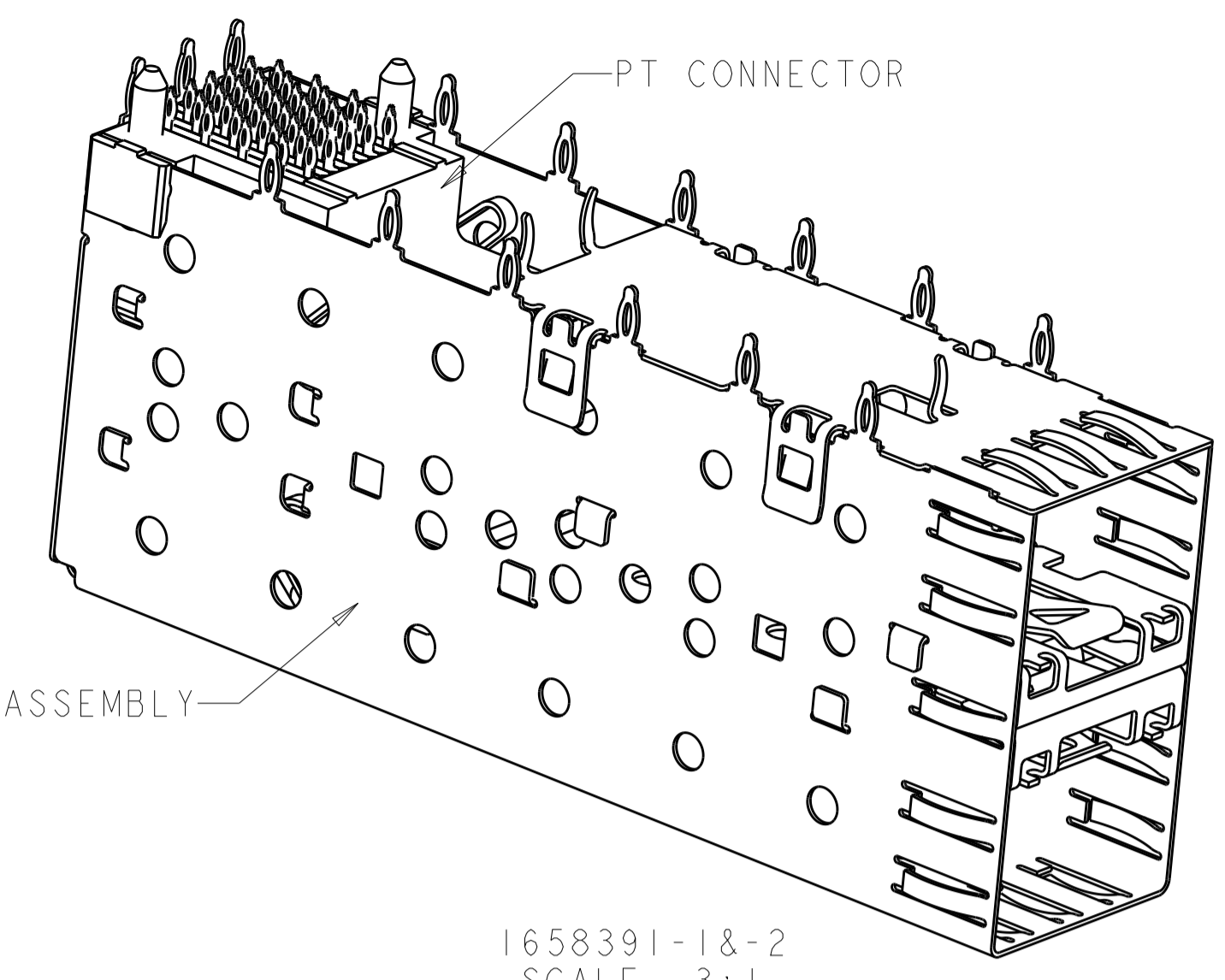
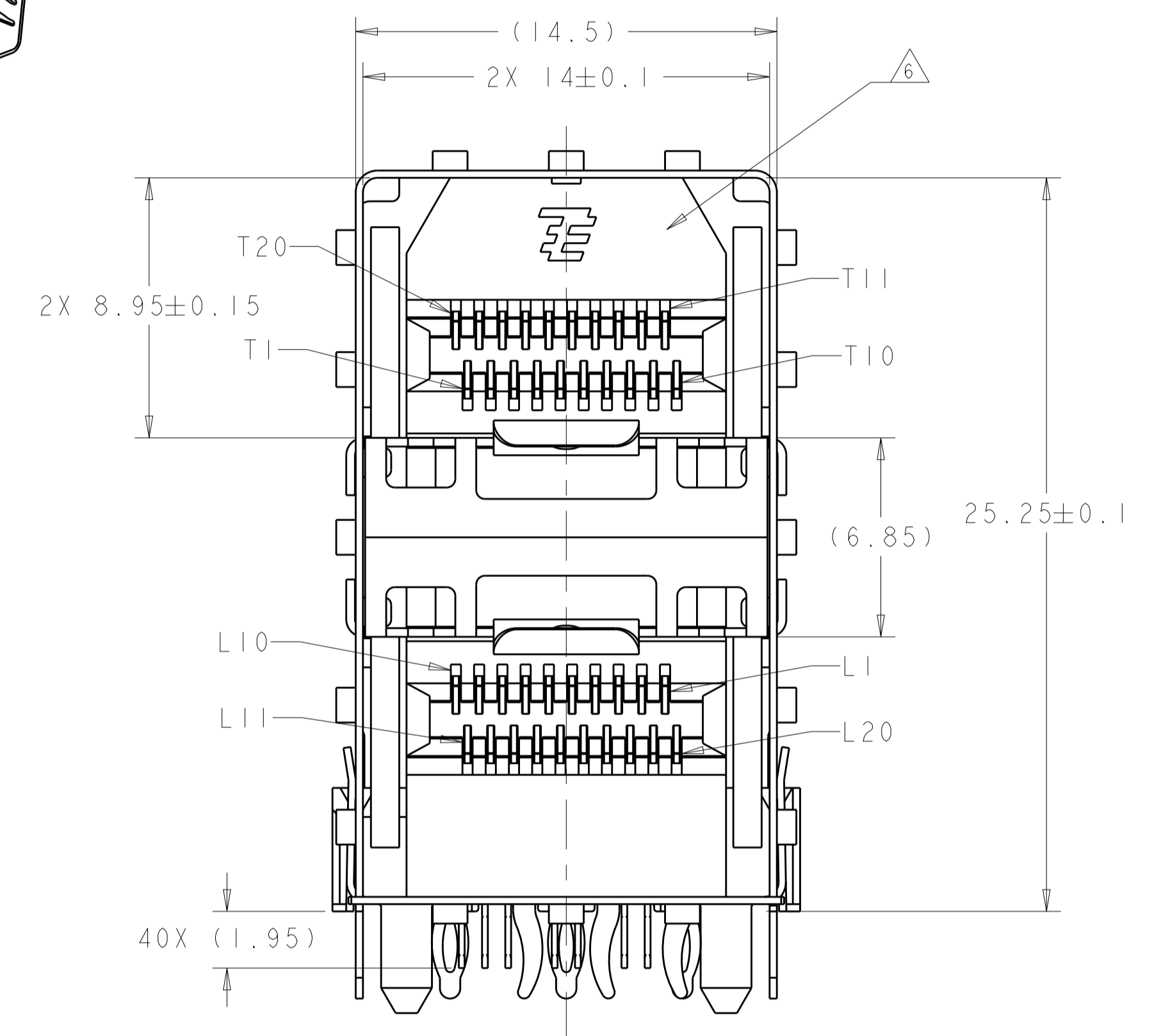
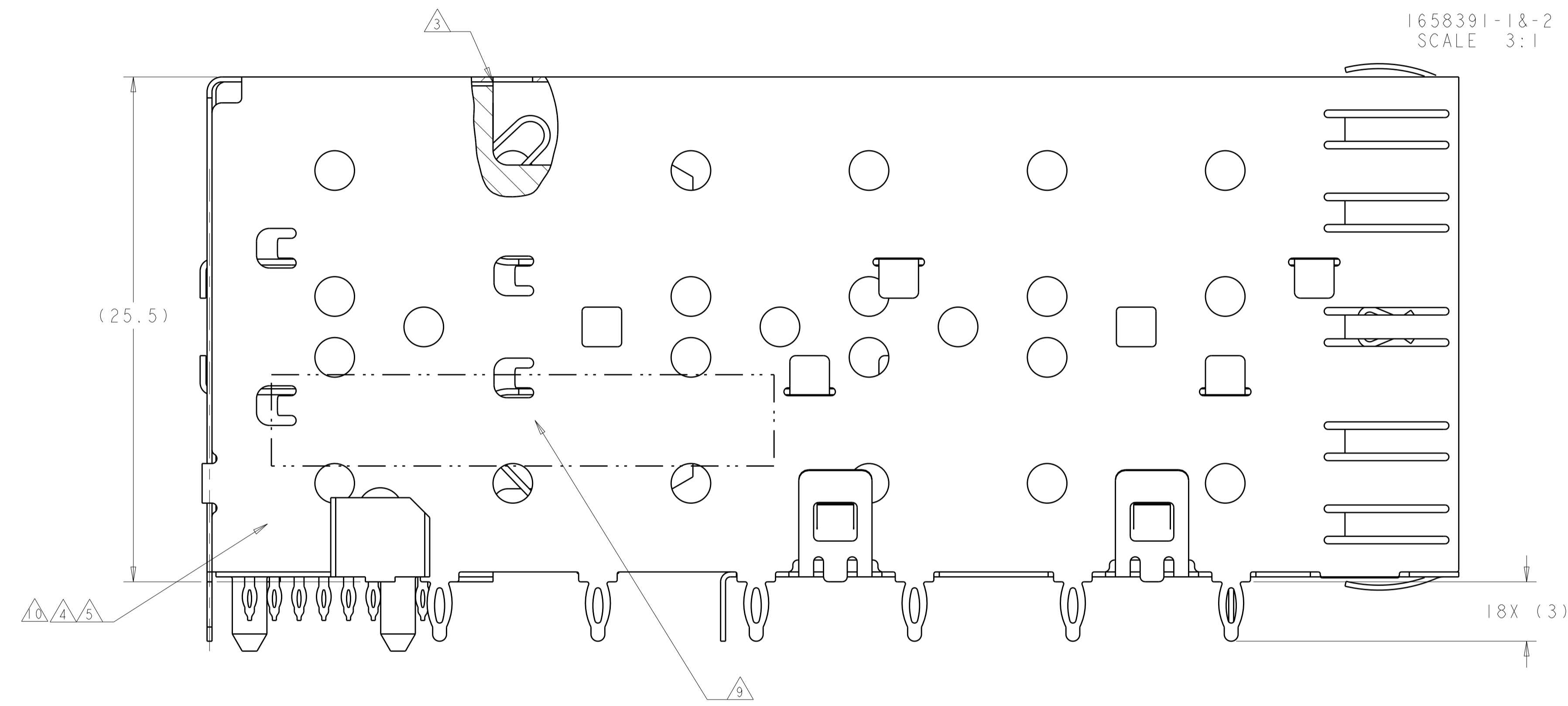


LOC	DIST	REVISIONS					
		P	LTN	DESCRIPTION	DATE	DWN	APVD
ES	00	F1		REVISED PER ECO-11-005033	18MAR2011	RK	HMR
		G		REVISED PER ECO-14-000886	20FEB2014	JW	SH
		G1		REVISED PER ECO-14-010419	11JUL2014	JW	SH

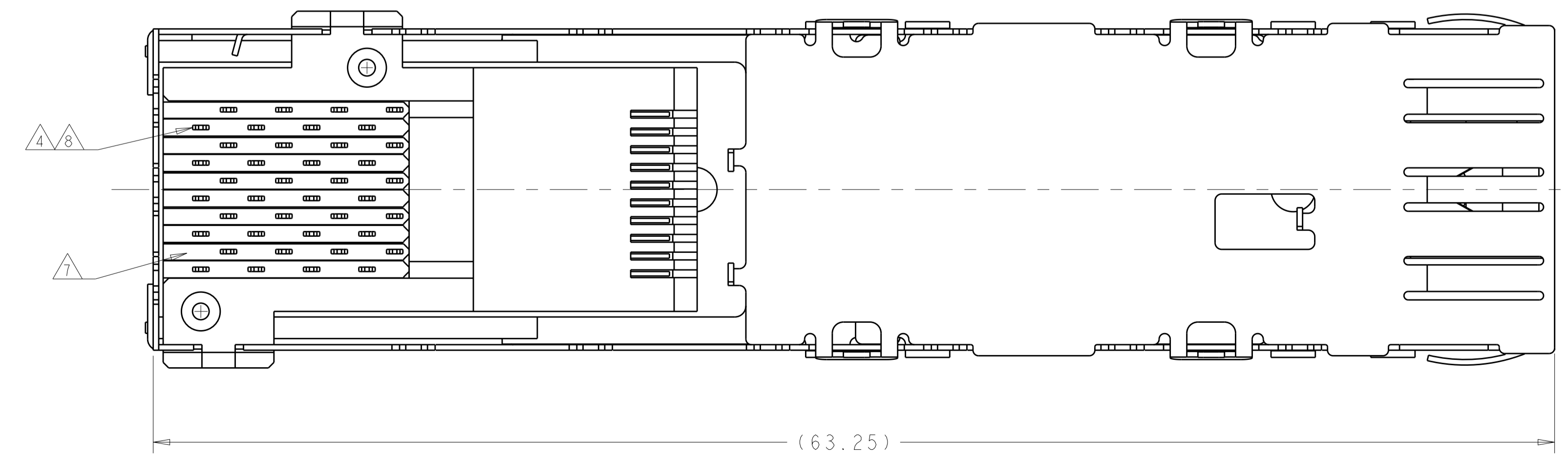


2X1 CAGE ASSEMBLY

1658391-1&2  
SCALE 3:1



- △ DATUM AND BASIC DIMENSION TO BE DETERMINED BY CUSTOMER.
- △ INTERPRETATION OF DATUM REFERENCE FRAME IN ACCORDANCE WITH SECT 4.4.1.1 OF ASME Y14.5M-1994.
- △ TOP OF PT CONNECTOR TO BE 0-0.15 FROM INSIDE SURFACE OF CAGE.
- △ COPPER ALLOY.
- △ 1.25umMIN TIN PER ASTM B 545 OVER NICKEL FLASH PER QQ-N-290. NON-PLATED EDGES PERMISSIBLE.
- △ LCP, HIGH TEMPERATURE, UL 94V-0 RATED, BLACK.
- △ POLYESTER, UL 94V-0 RATED, BLACK.
- △ CONTACT MATING AREA: SURFACE TREATMENT OVER 0.76um MIN GOLD PER ASTM B 488 OVER 1.27um MIN NICKEL PER QQ-N-290. NEEDLE EYE: 1.25um MIN TIN PER ASTM B 545 OVER 1.27um MIN NICKEL PER QQ-N-290. REMAINDER OF CONTACT: 0.76um MIN NICKEL PER QQ-N-290.
- △ DATE CODE AND PART NUMBER IN APPROXIMATE AREA SHOWN.
- △ MATERIAL: NICKEL SILVER ALLOY(NO PLATING)



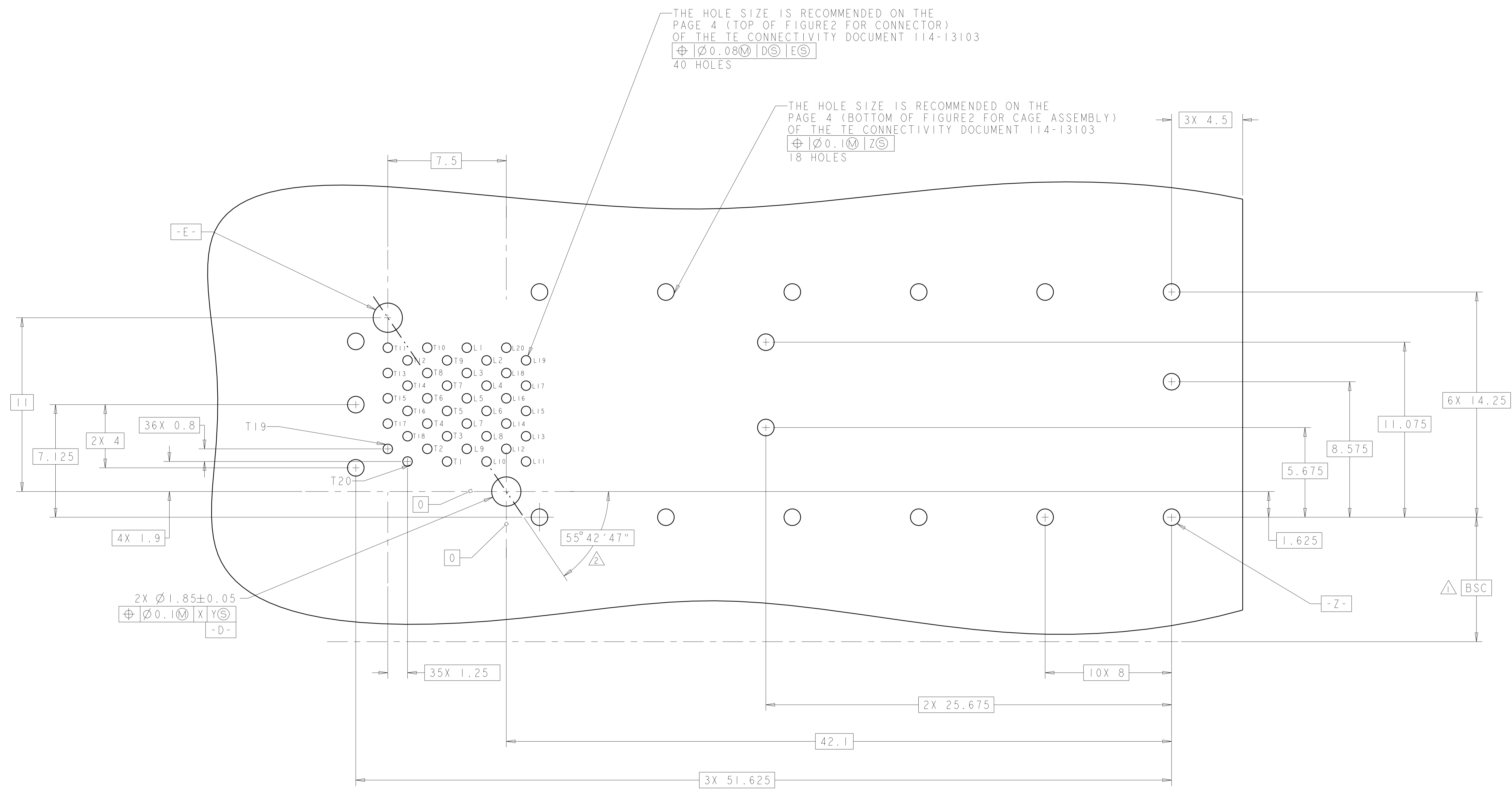
THIS DRAWING IS A CONTROLLED DOCUMENT.		DWN	25MAR03	NO	1658391-2
DIMENSIONS:		CHK	23JAN04	△	1658391-1
mm	TOLERANCES UNLESS OTHERWISE SPECIFIED:	APVD	23JAN04	CONNECTOR FINISH	PART NUMBER
	0 PLC ±	M. WALMSLEY		CONNECTOR MATERIAL	
	2 PLC ±0.1	J. KOPPENHEFFER		CAGE FINISH	
	3 PLC ±			CAGE MATERIAL	
	4 PLC ±				
	ANGLES ±				
MATERIAL	FINISH	PRODUCT SPEC	108-2161		
		APPLICATION SPEC	114-13103		
		WEIGHT			
		CUSTOMER DRAWING			

NAME: CAGE AND PT CONNECTOR ASSEMBLY, 2x1, PRESS FIT, STANDARD PROFILE, SFP

SIZE: CAGE CODE DRAWING NO: A100779 C=1658391

SCALE: 6:1 SHEET 1 OF 3 REV: G1

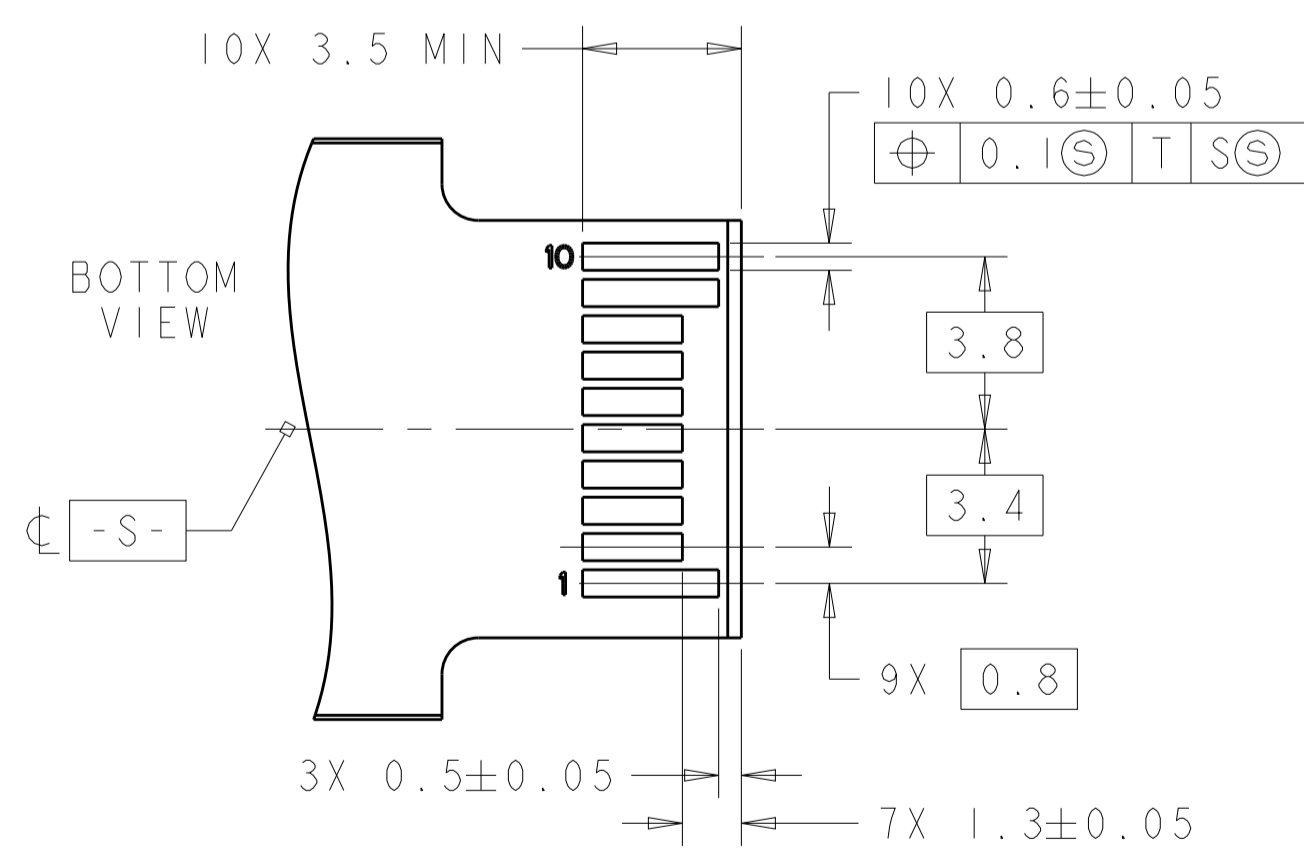
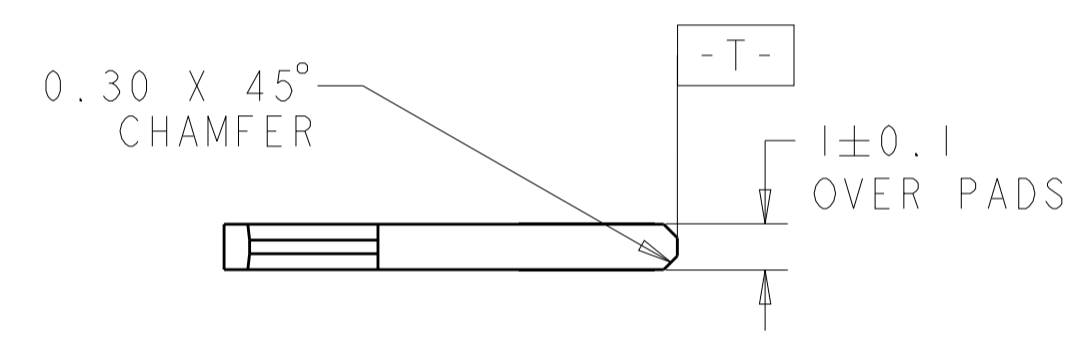
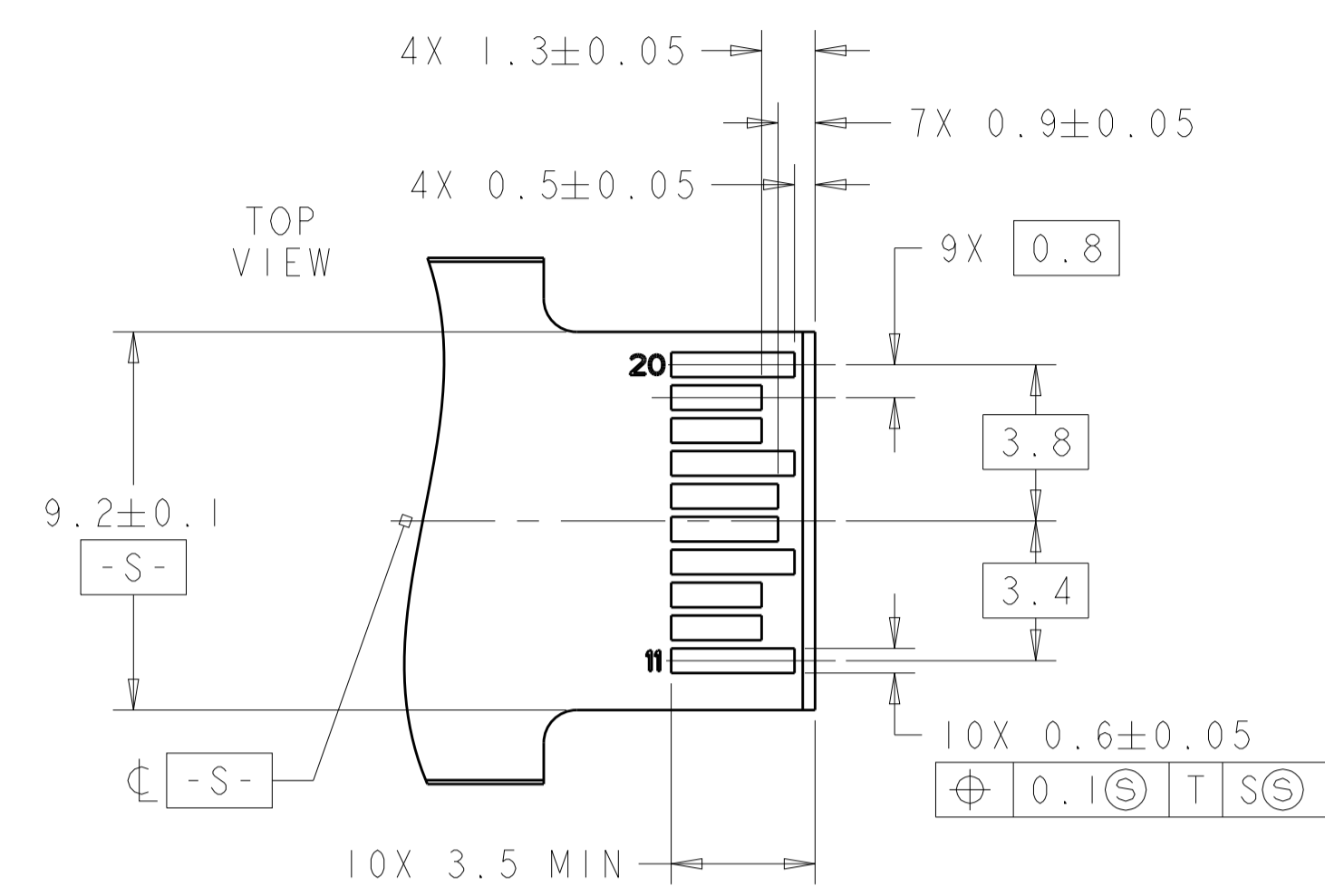
LOC		DIST		REVISIONS			
ES	00	P	LTN	DESCRIPTION	DATE	DWN	APVD
		-		SEE SHEET 1			



SFP HOST BOARD  
 MECHANICAL LAYOUT  
 SCALE 8:1

THIS DRAWING IS A CONTROLLED DOCUMENT.		DWN: M. COWHER 25MAR03	TE Connectivity
DIMENSIONS: mm		CHK: J. KOPPENHEFFER 23JAN04	
TOLERANCES UNLESS OTHERWISE SPECIFIED:		APVD: M. WALMSLEY 23JAN04	NAME: CAGE AND PT CONNECTOR ASSEMBLY, 2x1, PRESS FIT, STANDARD PROFILE, SFP
0 PLC ±	1 PLC ±0.1	PRODUCT SPEC: 108-2161	SIZE: A100779
2 PLC ±	3 PLC ±	APPLICATION SPEC: 114-13103	CAGE CODE: 1658391
4 PLC ±	ANGLES ±	WEIGHT: -	RESTRICTED TO: -
MATERIAL: -	FINISH: -	CUSTOMER DRAWING	SCALE: 6:1 SHEET 2 OF 3 REV: G1

LOC		DIST		REVISIONS			
ES	00	P	LTN	DESCRIPTION	DATE	DWN	APVD
		-		SEE SHEET 1			



RECOMMENDED LAYOUT FOR  
 MATING TRANSCEIVER PCB  
 SCALE 6:1

THIS DRAWING IS A CONTROLLED DOCUMENT.		DWN	M. COWHER	25MAR03	TE Connectivity
DIMENSIONS:		CHK	J. KOPPENHEFFER	23JAN04	
mm	TOLERANCES UNLESS OTHERWISE SPECIFIED:	APVD	M. WALMSLEY	23JAN04	NAME CAGE AND PT CONNECTOR ASSEMBLY, 2x1, PRESS FIT, STANDARD PROFILE, SFP
0 PLC ± 1 PLC ± 2 PLC ±0.1 3 PLC ± 4 PLC ± ANGLES ±	0.1±0.05 T S	PRODUCT SPEC 108-2161	APPLICATION SPEC 114-13103	SIZE A100779	
MATERIAL	FINISH	WEIGHT	CUSTOMER DRAWING		RESTRICTED TO -
				SCALE	1:1
				SHEET	3 OF 3
				REV	G1