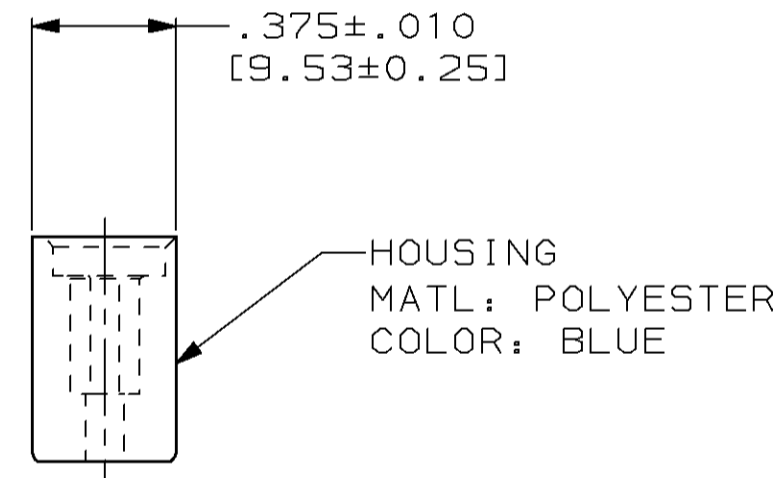
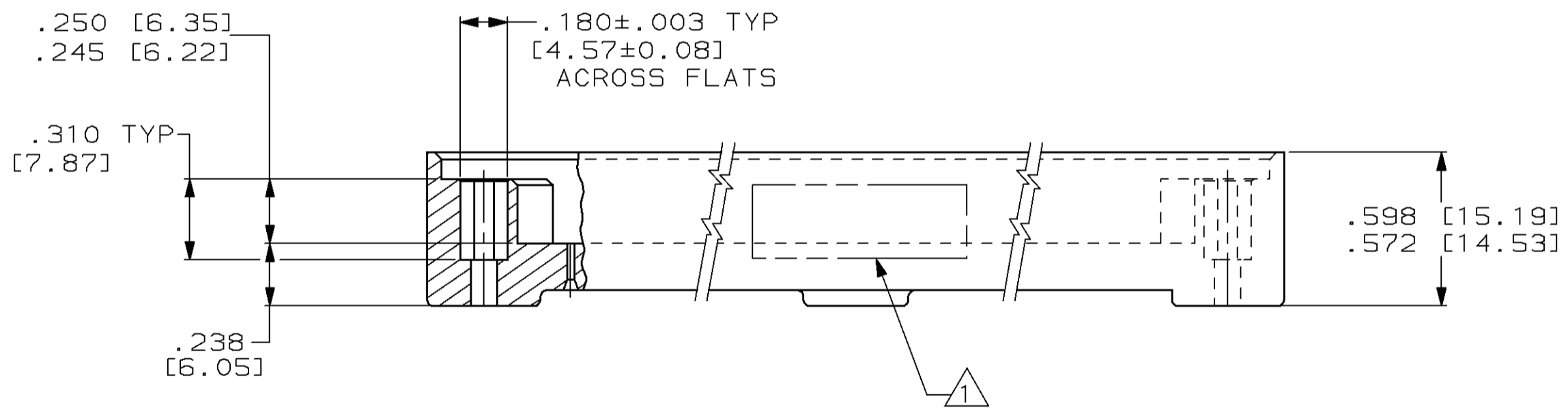
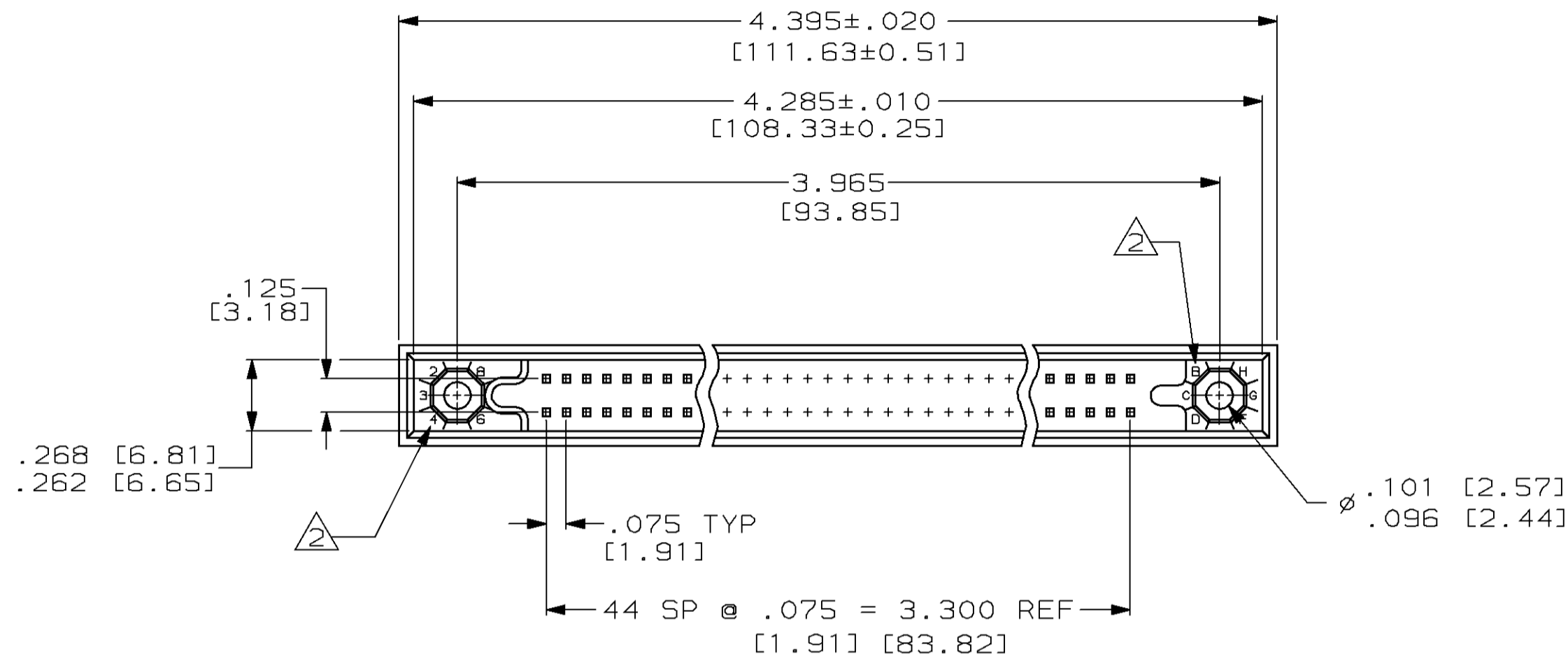


THIS DRAWING IS UNPUBLISHED. RELEASED FOR PUBLICATION
 BY AMP INCORPORATED. ALL RIGHTS RESERVED.

LOC		DIST		REVISIONS			
P	LTR	DESCRIPTION		DATE	DWN	APVD	
0		RELEASED PER 0600-7239-98		4-98	CT	DG	



- ① AMP, DATE CODE AND AMP PART NO. MARKED IN THIS AREA
- ② KEY POSITION IDENTIFICATIONS MOLDED ON SURFACE SHOWN.

90	1218165-1
NO OF POSN	PART NUMBER

THIS DRAWING IS A CONTROLLED DOCUMENT.		DWN C.C. THOMAS 4/7/98	AMP Incorporated Harrisburg, PA 17105-3608	
DIMENSIONS: INCHES [mm]		CHK D. GUTTER 4/7/98	NAME PIN SHROUD HOUSING, 750 SERIES BOX STACKING FOR .025x.025 POSTS, .700 STACK HEIGHT	
TOLERANCES UNLESS OTHERWISE SPECIFIED:		APVD D. GUTTER 4/7/98	PRODUCT SPEC -	
0 PLC ±-		APPLICATION SPEC -	SIZE A2	
1 PLC ±-		WEIGHT -	CAGE CODE 00779	
2 PLC ±-		DRAWING NO 1218165		
3 PLC ±.005 [0.13]		RESTRICTED TO -		
4 PLC ±-		SCALE 2:1		
ANGLES ±-		SHEET 1 OF 1		
FINISH -		REV 0		
MATERIAL SEE CALLOUTS		CUSTOMER DRAWING		