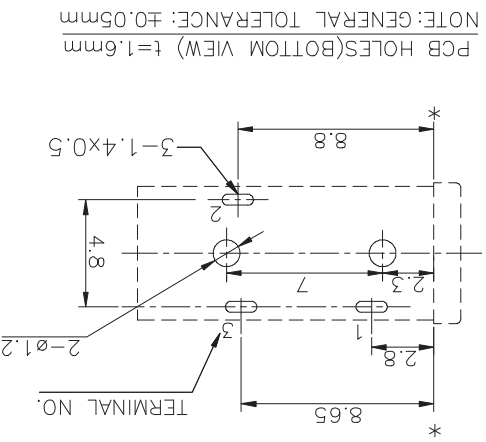
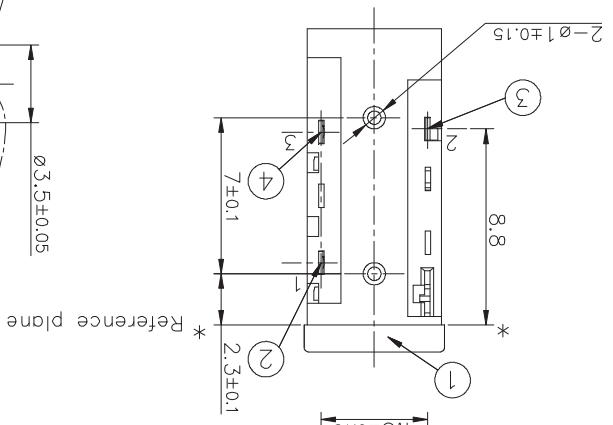
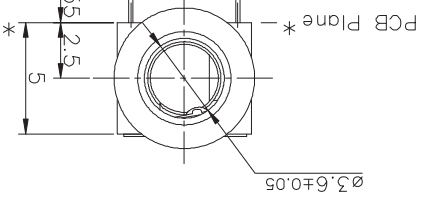
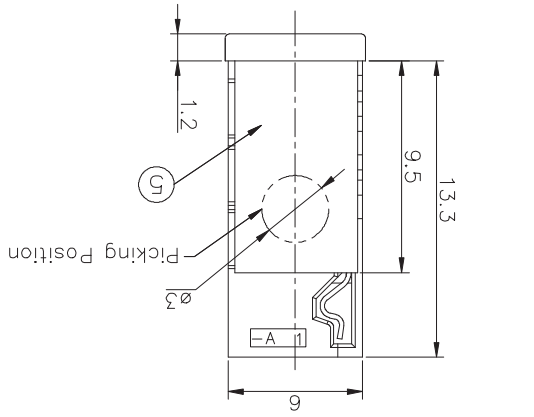
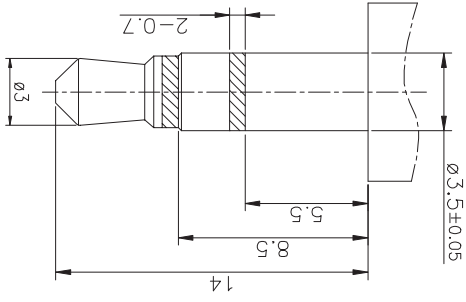
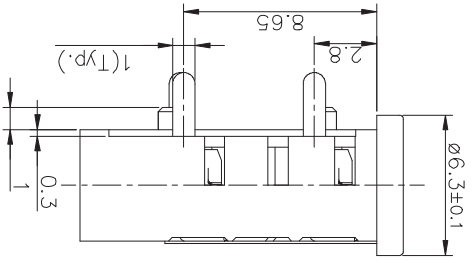


PRODUCT NUMBER
10123766-H00XLF

Copyright FCI



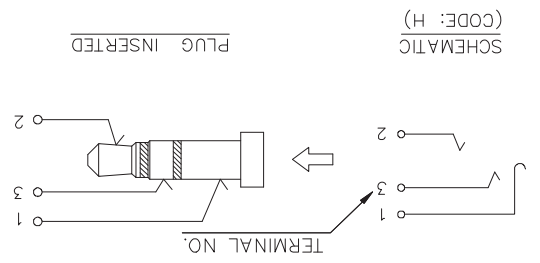
PCB HOLES (BOTTOM VIEW) t=1.6mm
NOTE: GENERAL TOLERANCE: ±0.05mm



RECOMMENDED PLUG
∅3.5 3-POLE STANDARD PLUG

NO.	PART NAME	TER.NO.	QTY.	MATERIAL	REMARK
⑤	MYLAR	1	1	MYLAR t=0.11	
④	RING TERMINAL	3	1	STAINLESS STEEL t=0.20	Ag-PLATED
③	TIP TERMINAL	2	1	STAINLESS STEEL t=0.20	Ag-PLATED
②	EARTH TERMINAL	1	1	STAINLESS STEEL t=0.20	Ag-PLATED
①	HOUSING	1	1	PA9T 94V-0	BLACK

NOTES:
 1. MATERIAL: SEE MATERIAL TABLE.
 2. PRODUCT SPECIFICATION: GS-12-1160.
 3. PACKAGE SPECIFICATION: GS-14-2338.
 4. THIS PRODUCT MEETS EUROPEAN UNION DIRECTIVES AND OTHER COUNTRY REGULATIONS AS DESCRIBED IN GS-47-0004.
 5. THE HOUSING WILL WITHSTAND EXPOSURE TO 260°C PEAK TEMPERATURE 5 SECONDS IN A CONVECTION, INFRA-RED OR VAPOR PHASE REFLOW OVEN.
 6. PART NUMBER DEFINITION:
 10123766-X X X X LF
 LEAD FREE
 MYLAR - BLANK: WITH MYLAR; N: NO MYLAR
 PLATING - 0: Ag
 HSG COLOR - 0: BLACK
 CIRCUIT SCHEMATIC CODE



ltr	ecn no	dr	date	tolerances unless otherwise specified	mat'l. code	surface	tolerance	projection	product family	title	dwg no	sheet 1 of 2 size	type	CUSTOMER Drawing
A	B	EX-T-18986	TAI	2014-10-13	angles	in/out	4<L<16 ±0.3	MM	3.5mm PHONE JACK	10123766	A4	CUSTOMER Drawing		
B	B	EX-T-18986	TAI	2014-10-13	angles	in/out	4<L<16 ±0.3	MM	3.5mm PHONE JACK	10123766	A4	CUSTOMER Drawing		



