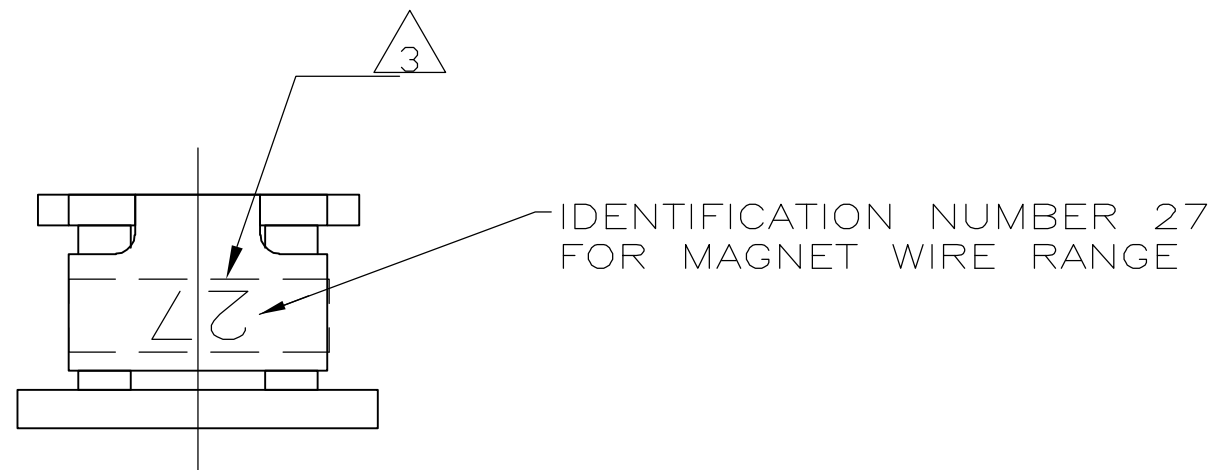
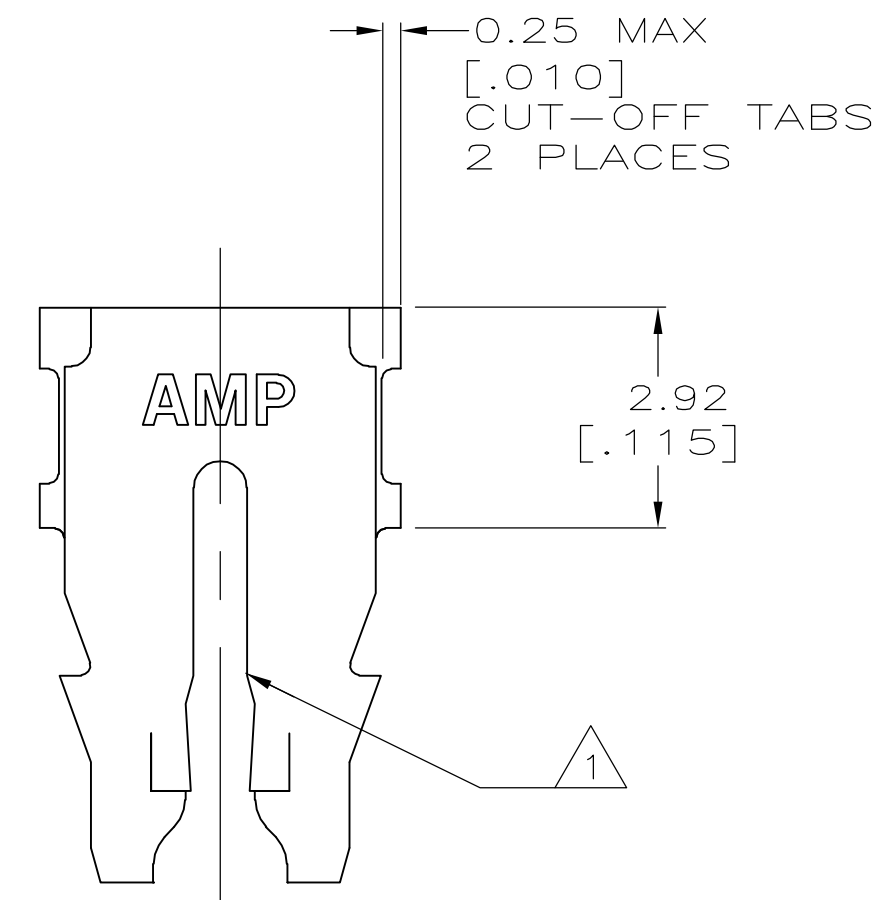
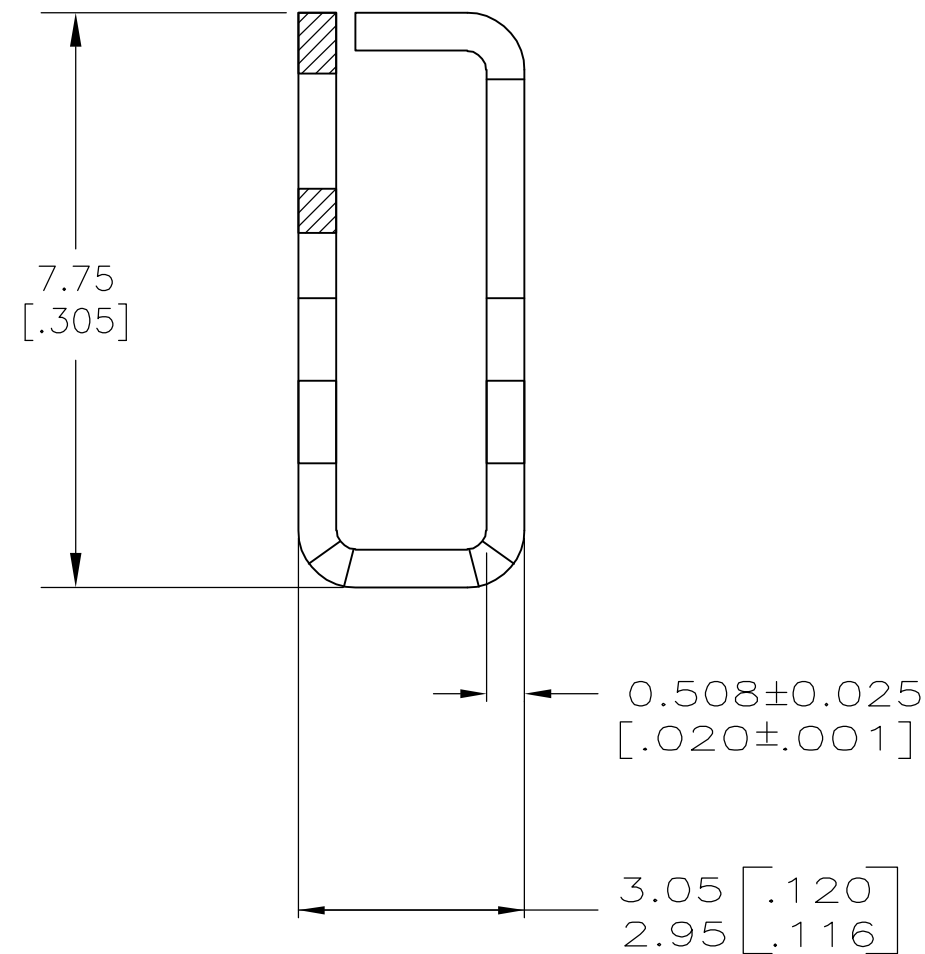
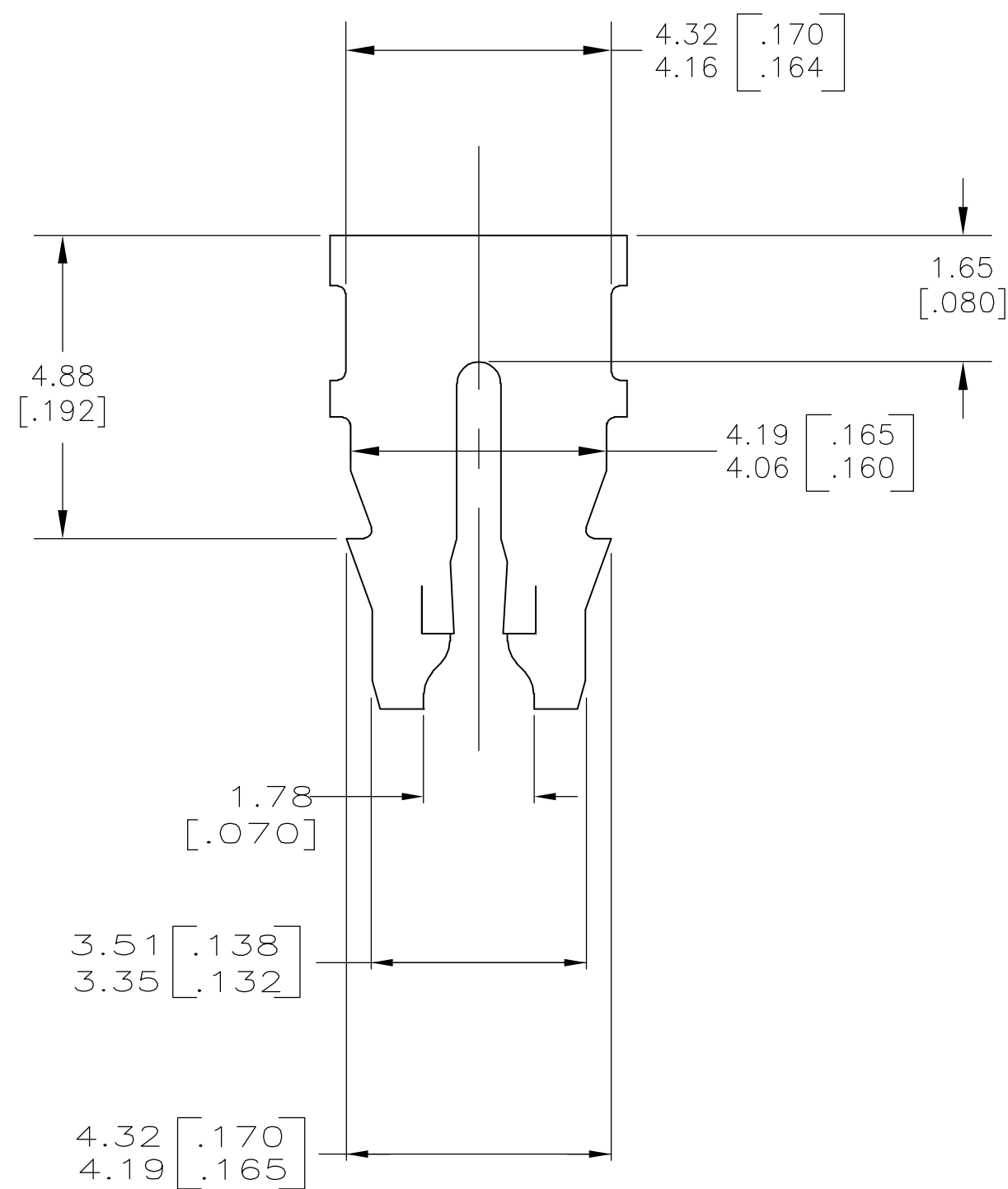


THIS DRAWING IS UNPUBLISHED. RELEASED FOR PUBLICATION
 © COPYRIGHT BY TYCO ELECTRONICS CORPORATION. ALL RIGHTS RESERVED.

LOC	DIST	REVISIONS			
P	LTR	DESCRIPTION	DATE	DWN	APVD
AF	50	B	REVISED PER ECR-05-0177005	16DEC05	MF KR



- 1 SLOT TERMINATES EITHER A SINGLE OR DOUBLE MAGNET WIRE OF THE SAME SIZE AND TYPE. COPPER RANGE: 0.91-1.02mm [#19-#17] AWG.
- 2 SPECIAL CAVITY ANVIL LOCATION REQUIRED 4.83±0.07 [.190±.003]. REF APPLICATION SPEC 114-2046, SEC. 3.2, NOTE 7. REVISION T OR LATER.
- 3 ORANGE COLORING APPLIED TO THIS SURFACE DURING LOOSE PIECE OPERATION TO PROVIDE COLOR CODING OF MAGNET WIRE RANGE.



1742240-1
 PART NUMBER

THIS DRAWING IS A CONTROLLED DOCUMENT.		DWN MICHAEL S. FEHER 17FEB2005	tyco Tyco Electronics Corporation Harrisburg, PA 17105-3608	
DIMENSIONS: INCHES		CHK KURT A. RANDOLPH 17FEB2005	NAME KURT A. RANDOLPH	
TOLERANCES UNLESS OTHERWISE SPECIFIED:		APVD KURT A. RANDOLPH 17FEB2005	PRODUCT SPEC 108-2012	
0 PLC ± -		APPLICATION SPEC 114-2046 2		
1 PLC ± -		SIZE A2	CAGE CODE 00779	DRAWING NO 1742240
2 PLC ± 0.25 [.010]		RESTRICTED TO		
3 PLC ± -		SCALE 10:1		
4 PLC ± -		SHEET 1 of 1		
ANGLES ± -		REV B		
MATERIAL 4M BRASS	FINISH 0.002032 [.000080] MIN TIN PLATE	CUSTOMER DRAWING		