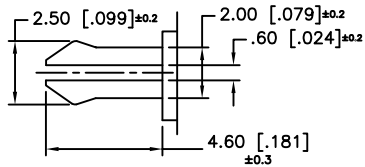
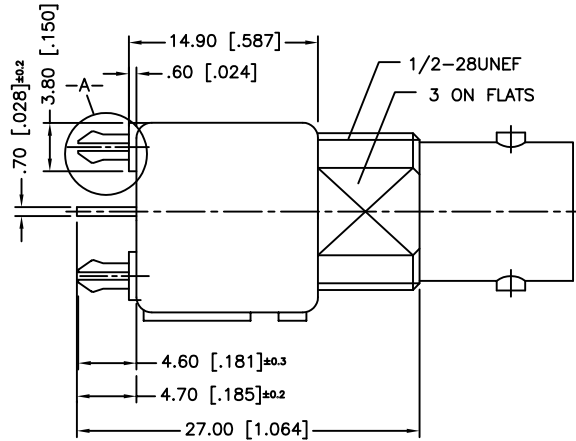
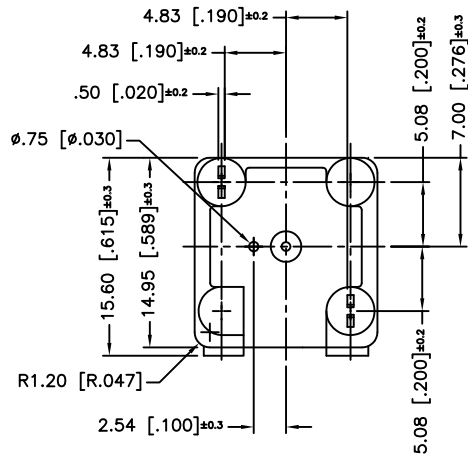
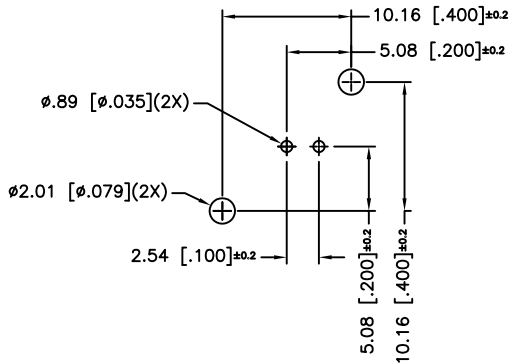


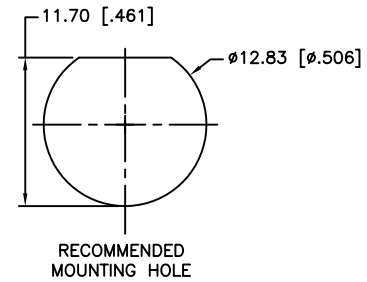
REV.	DATE	ECR NO	DESCRIPTION
A	--	--	RELEASE TO MFG.
B	01/10/04	--	UPDATE DRAWING FORMAT/ MODIFY MOUNTING POSTS
C	02/25/10	2012	HARDWARES REMOVED



DETAIL -A-
(2X SCALE)



PCB MOUNTING HOLES



NOTE:
1. MAX. PANEL THICKNESS = 5mm

DESCRIPTION	MATERIAL	FINISH	QTY	UNLESS OTHERWISE SPECIFIED DIMENSIONS ARE IN MILLIMETERS. DIMENSIONS IN [] ARE IN INCHES AND FOR CUSTOMER REFERENCE ONLY.	APPROVALS	DATE	Amphenol Connex		
5	MOUNTING POST	BRASS	TIN PLATING	UNLESS OTHERWISE SPECIFIED TOLERANCES FOR MILLIMETERS ARE: 0.5 - 8mm ± 0.20mm 8 - 30mm ± 0.40mm 30 - 120mm ± 0.50mm UNLESS OTHERWISE SPECIFIED TOLERANCES FOR INCHES ARE: .020 - .315 ± 0.007" .315 - 1.180 ± 0.015" 1.180 - 4.724 ± 0.020" DO NOT SCALE DRAWING	DRAWN	CLEMENT		02/25/10	PART DESCRIPTION
4	POST	COPPER	TIN PLATING		CHECKED				BNC STRAIGHT PC MOUNT RECEPT. JACK
3	CONTACT PIN	PHOS. BRONZE	GOLD		ISSUED				
2	INSULATOR	POLY PRO.	NATURAL		SHEET	1 OF 1			
1	BODY	ZINC DIE CAST	NICKEL		CAD FILE	C:/112/112495.DWG			
								PART NO.	112495
								DWG. NO.	112495.DWG
								REV.	C
								SIZE	A
								SCALE	NA