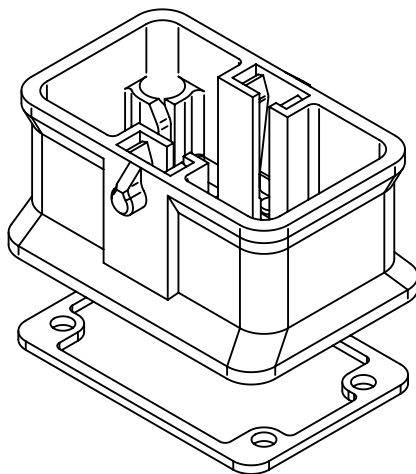
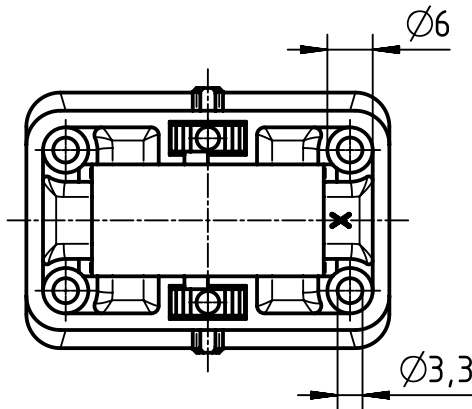
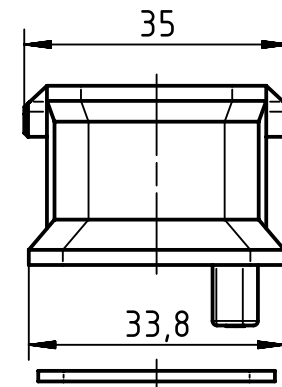
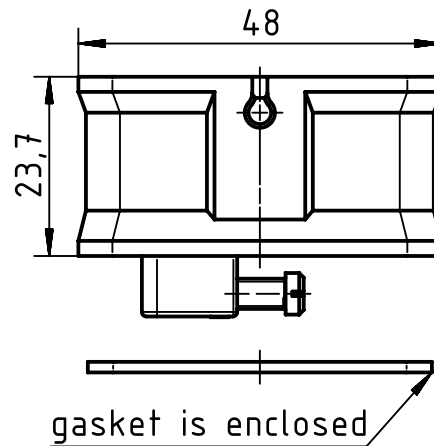
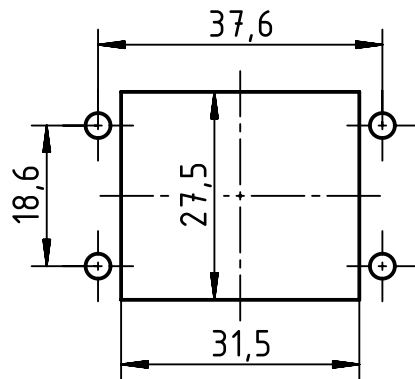



panel cut out



	All rights reserved Department EL PD - DE	All Dimensions in mm Original Size DIN A4		Scale 1:1	Free size tol.	Ref.
		HARTING Electric GmbH & Co. KG D-32339 Espelkamp	Created by FINKEV	Inspected by MOOR	Standardisation TIEMANNA	Date 2014-09-25
Title Han-Modular Compact carrier hood						Doc-Key / ECM-Nr. 100132860/UGD/003/C 500000080125
Type TB				Number 09 14 001 0311		Rev. C
						Page 1/1