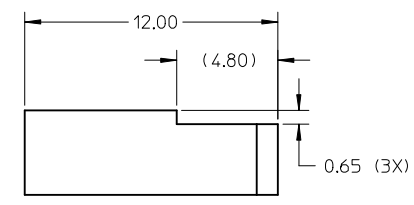
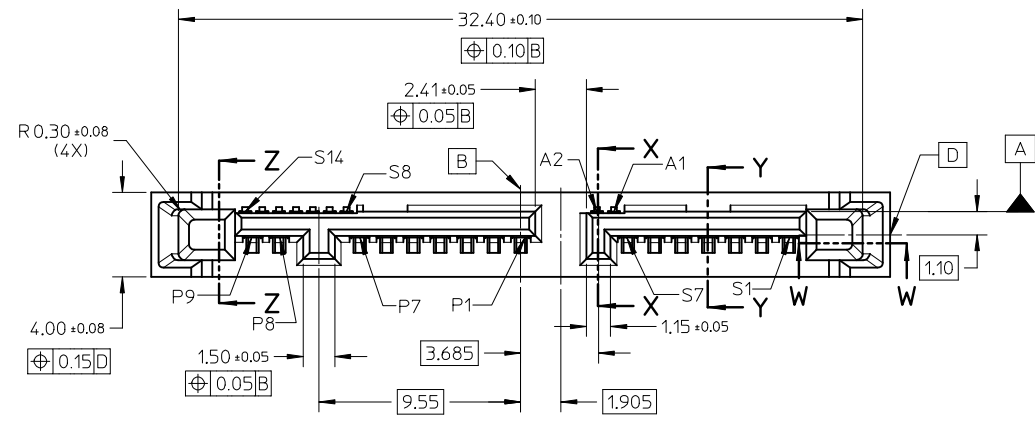
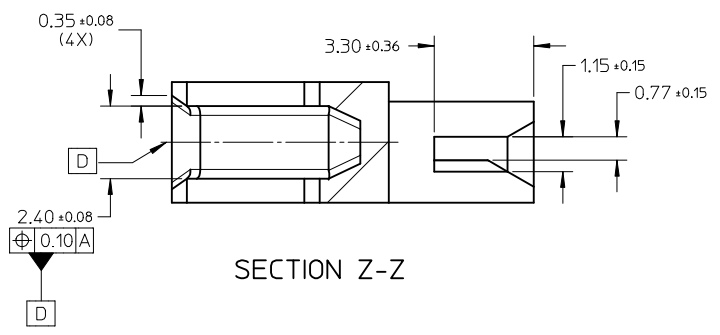
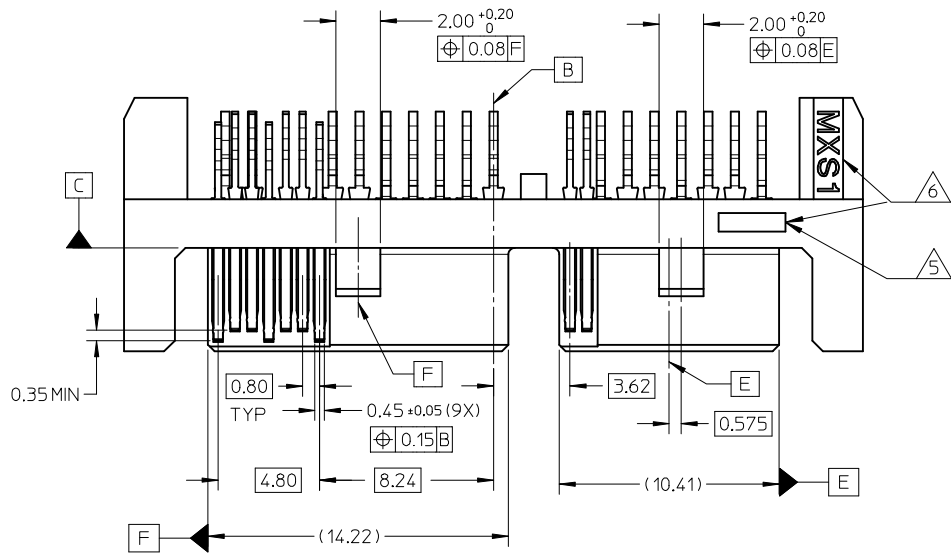


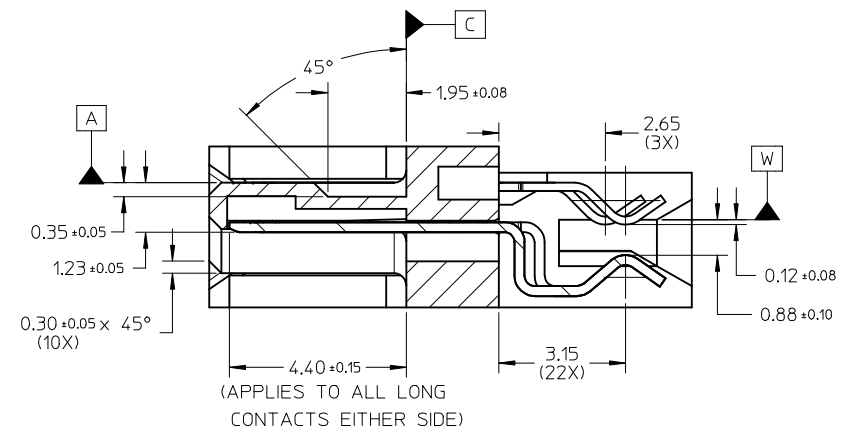
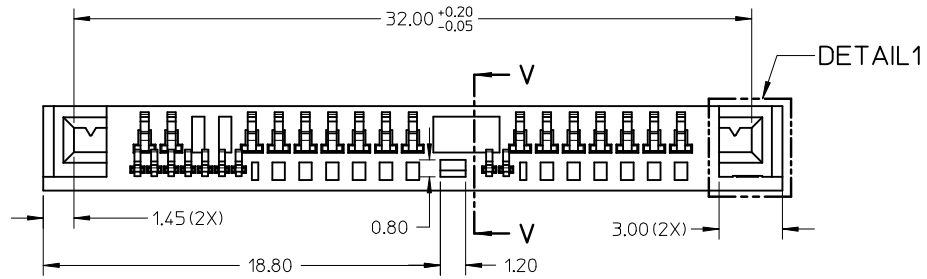
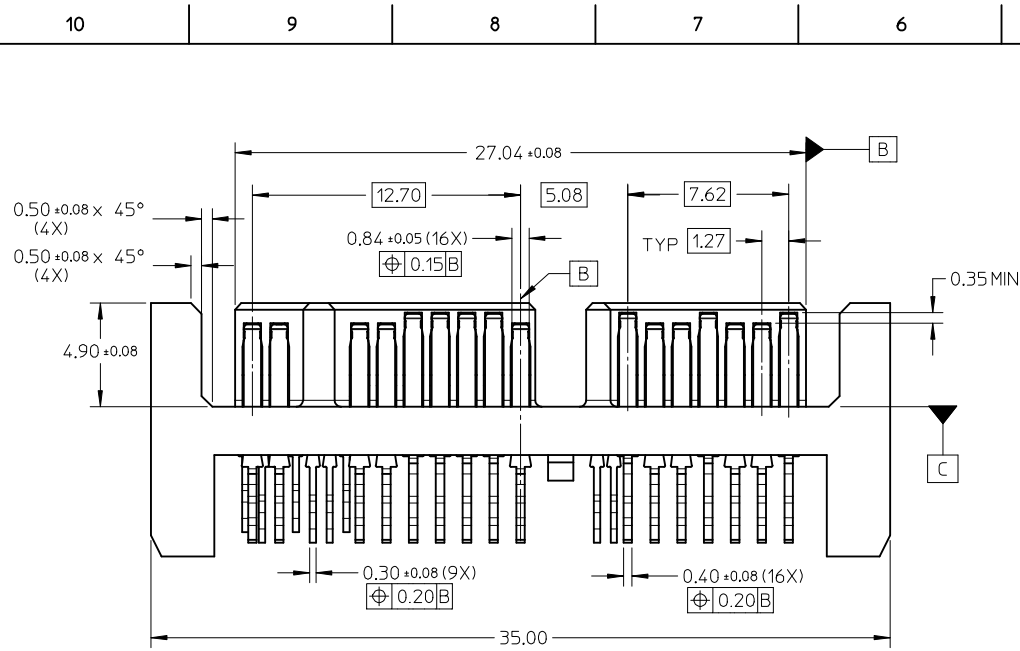
NOTES:

1. MATERIAL:  
HOUSING: LCP, GLASS FILLED, UL 94V-0, BLACK  
TERMINAL: COPPER ALLOY
2. FINISHES:  
CONTACT: 0.76µm MIN GOLD OVER  
1.27µm MIN. NICKEL UNDERPLATE  
SOLDERTAIL: 1.91µm MIN TIN OVER  
1.27µm MIN. NICKEL UNDERPLATE
3. PRODUCT SPECIFICATION: PS-78528-001
4. PACKAGING SPECIFICATION: PK-78528-001
5. DATE CODE FORMAT: YYDD
6. MOLEX LOGO AND DATE CODE LOCATED APPROXIMATELY AS SHOWN
7. MATES WITH: MOLEX MICROSAS & MICROSATA RECEPTACLE
8. THIS PRODUCT IS COMPLIANT TO RoHS DIRECTIVE WITH THE FOLLOWING BANNED SUBSTANCES - LEAD, MERCURY, CADMIUM, HEXAVALENT CHROMIUM, POLYBROMINATED BIPHENYLS AND POLYBROMINATED DIPHENYLS ETHERS
9. NON FUNCTIONAL CORING MAY VARY

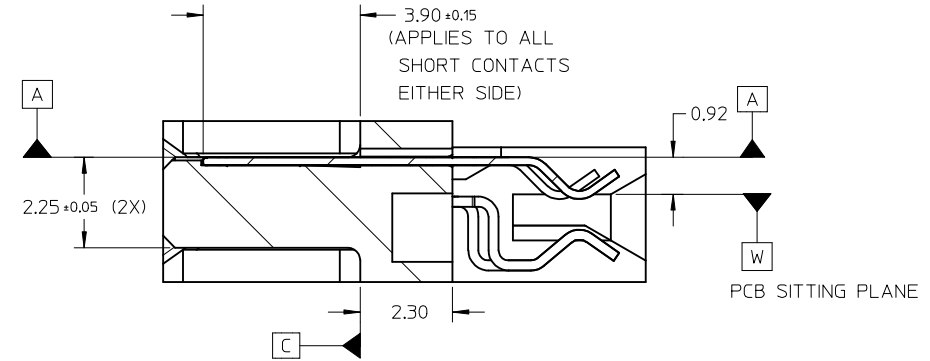
SEE SHEET 2 EC NO: S2013-0183 DRWN:GMENARLY 2012/10/02 CH'KD:SCHEONG 2012/10/08 APPR:BOKOK 2012/10/08	QUALITY SYMBOLS	GENERAL TOLERANCES (UNLESS SPECIFIED)		DIMENSION STYLE	SCALE	DESIGN UNITS	THIRD ANGLE PROJECTION
	$F_A=0$ $F_C=0$ $F_P=0$	mm	INCH	MM ONLY	NTS	METRIC	
		4 PLACES ± --- ± ---	DRAWN BY	DATE	TITLE		
		3 PLACES ± --- ± ---	CHECKED BY	DATE	MICROSAS PLUG R/A, STRADDLE MOUNT VELA <b>molex</b>		
	2 PLACES ± 0.20 ± ---	APPROVED BY	DATE				
	1 PLACE ± --- ± ---	BOKOK	2009/09/03	MATERIAL NO.	DOCUMENT NO.	SHEET NO.	
	0 PLACE ± --- ± ---	ANGULAR ± 3 °		78528-0001	SD-78528-001	1 OF 6	
		DRAFT WHERE APPLICABLE MUST REMAIN WITHIN DIMENSIONS		THIS DRAWING CONTAINS INFORMATION THAT IS PROPRIETARY TO MOLEX INCORPORATED AND SHOULD NOT BE USED WITHOUT WRITTEN PERMISSION			



ADD DIM @ F3 EC NO: S2013-0183 DRAWING: GMENARLY 2012/10/02 CHKD: SCHEONG 2012/10/08 APPR: BOKOK 2012/10/08	DESCRIPTION REV	QUALITY SYMBOLS	GENERAL TOLERANCES (UNLESS SPECIFIED)	DIMENSION STYLE	SCALE	DESIGN UNITS	THIRD ANGLE PROJECTION																		
		$\nabla_A = 0$ $\nabla_B = 0$ $\nabla_C = 0$	<table border="1"> <thead> <tr> <th></th> <th>mm</th> <th>INCH</th> </tr> </thead> <tbody> <tr> <td>4 PLACES</td> <td>± ---</td> <td>± ---</td> </tr> <tr> <td>3 PLACES</td> <td>± ---</td> <td>± ---</td> </tr> <tr> <td>2 PLACES</td> <td>± 0.20</td> <td>± ---</td> </tr> <tr> <td>1 PLACE</td> <td>± ---</td> <td>± ---</td> </tr> <tr> <td>0 PLACE</td> <td>± ---</td> <td>± ---</td> </tr> </tbody> </table>		mm	INCH	4 PLACES	± ---	± ---	3 PLACES	± ---	± ---	2 PLACES	± 0.20	± ---	1 PLACE	± ---	± ---	0 PLACE	± ---	± ---	MM ONLY	NTS	METRIC	
			mm	INCH																					
		4 PLACES	± ---	± ---																					
3 PLACES	± ---	± ---																							
2 PLACES	± 0.20	± ---																							
1 PLACE	± ---	± ---																							
0 PLACE	± ---	± ---																							
<table border="1"> <thead> <tr> <th>DRAWN BY</th> <th>DATE</th> <th>TITLE</th> </tr> </thead> <tbody> <tr> <td>GMENARLY</td> <td>2009/07/16</td> <td rowspan="4">           MICRO SAS PLUG            R/A, STRADDLE MOUNT            VELA  <b>molex</b> </td> </tr> <tr> <td>CHECKED BY</td> <td>DATE</td> </tr> <tr> <td>APPROVED BY</td> <td>DATE</td> </tr> <tr> <td>BOKOK</td> <td>2009/09/03</td> </tr> </tbody> </table>	DRAWN BY	DATE	TITLE	GMENARLY	2009/07/16	MICRO SAS PLUG R/A, STRADDLE MOUNT VELA <b>molex</b>	CHECKED BY	DATE	APPROVED BY	DATE	BOKOK	2009/09/03	<table border="1"> <thead> <tr> <th>MATERIAL NO.</th> <th>DOCUMENT NO.</th> <th>SHEET NO.</th> </tr> </thead> <tbody> <tr> <td>78528-0001</td> <td>SD-78528-001</td> <td>2 OF 6</td> </tr> </tbody> </table>	MATERIAL NO.	DOCUMENT NO.	SHEET NO.	78528-0001	SD-78528-001	2 OF 6						
DRAWN BY	DATE	TITLE																							
GMENARLY	2009/07/16	MICRO SAS PLUG R/A, STRADDLE MOUNT VELA <b>molex</b>																							
CHECKED BY	DATE																								
APPROVED BY	DATE																								
BOKOK	2009/09/03																								
MATERIAL NO.	DOCUMENT NO.	SHEET NO.																							
78528-0001	SD-78528-001	2 OF 6																							
ANGULAR ± 3° DRAFT WHERE APPLICABLE MUST REMAIN WITHIN DIMENSIONS	SIZE <b>A3</b>	THIS DRAWING CONTAINS INFORMATION THAT IS PROPRIETARY TO MOLEX INCORPORATED AND SHOULD NOT BE USED WITHOUT WRITTEN PERMISSION																							

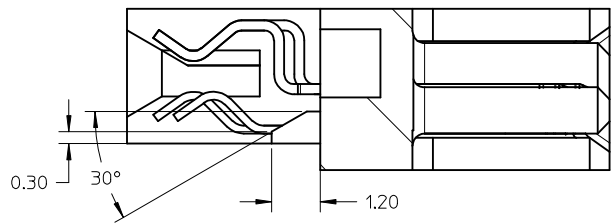


SECTION Y-Y

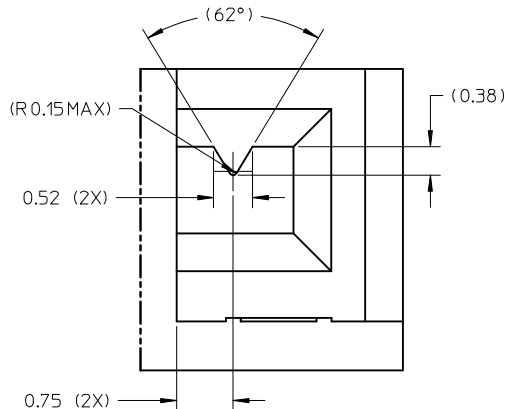


SECTION X-X

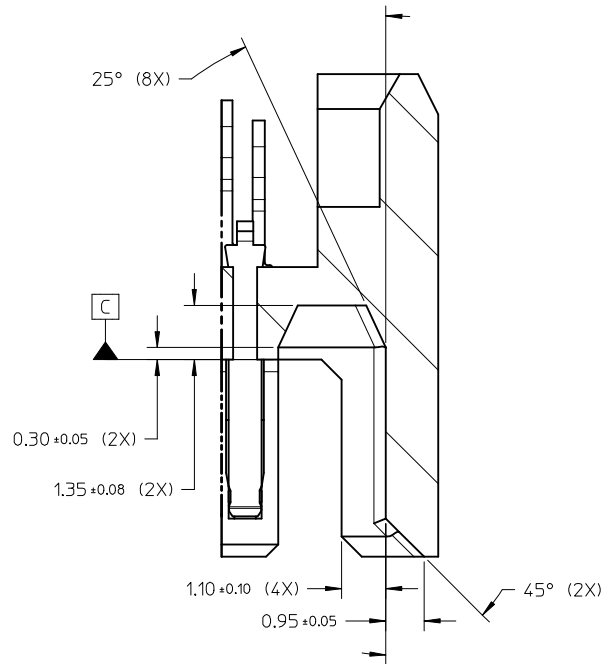
SEE SHEET 2 EC NO: S2013-0183 DRWN:GMENARLY 2012/10/02 CHKD:SCHEONG 2012/10/08 APPR:BOKOK 2012/10/08	DESCRIPTION REV	QUALITY SYMBOLS	GENERAL TOLERANCES (UNLESS SPECIFIED)		DIMENSION STYLE MM ONLY		SCALE NTS	DESIGN UNITS METRIC	THIRD ANGLE PROJECTION	
		$F_A=0$	mm	INCH	DRAWN BY	DATE	TITLE	<b>MICROSAS PLUG</b> <b>R/A, STRADDLE MOUNT</b> <b>VELA</b> <b>molex</b> MATERIAL NO. 78528-0001 DOCUMENT NO. SD-78528-001 SHEET NO. 3 OF 6		
		$F_C=0$	4 PLACES ± --- ± ---	3 PLACES ± --- ± ---	CGO	2009/07/16				
		$F_B=0$	2 PLACES ± 0.20 ± ---	1 PLACE ± --- ± ---	CGOH	2009/09/03				
	0 PLACE ± --- ± ---		BOKOK	2009/09/03						
		ANGULAR ± 3 °	DRAFT WHERE APPLICABLE MUST REMAIN WITHIN DIMENSIONS		SIZE A3	THIS DRAWING CONTAINS INFORMATION THAT IS PROPRIETARY TO MOLEX INCORPORATED AND SHOULD NOT BE USED WITHOUT WRITTEN PERMISSION				



SECTION V-V

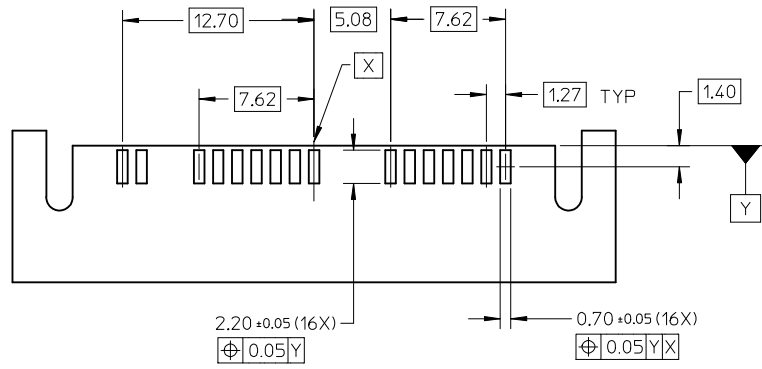
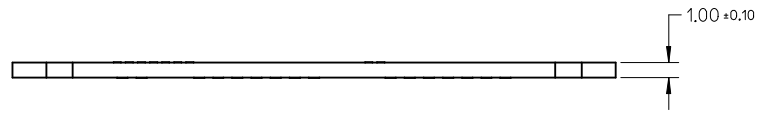
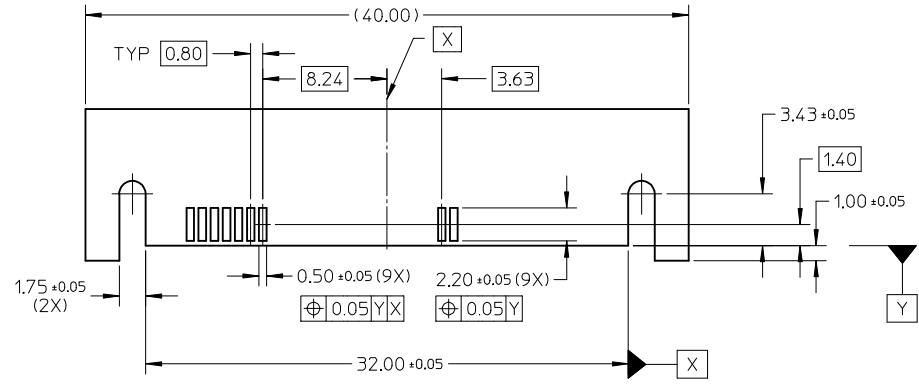


DETAIL1



SECTION W-W  
PARTIAL1

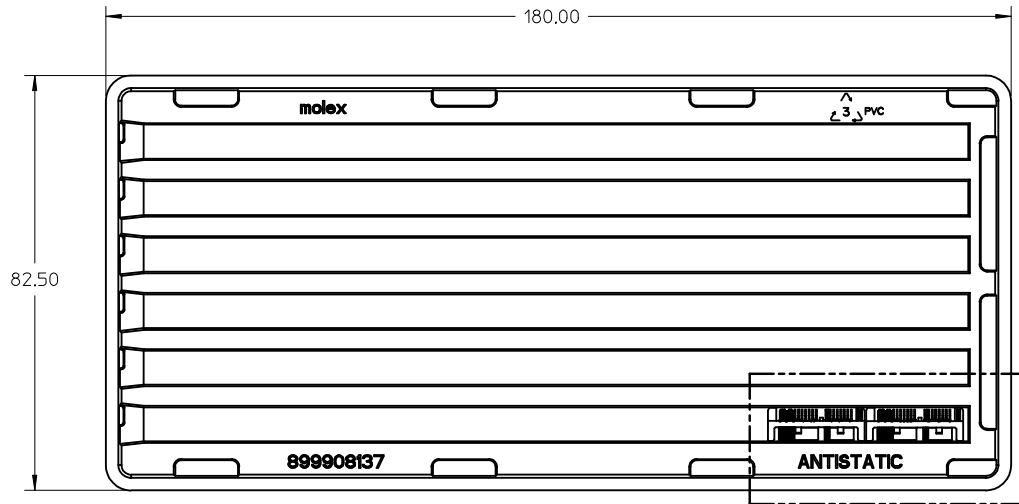
SEE SHEET 2 EC NO: S2013-0183 DRWG: GMENARLY 2012/10/02 CHKD: SCHEONG 2012/10/08 APPR: BOKOK 2012/10/08	QUALITY SYMBOLS	GENERAL TOLERANCES (UNLESS SPECIFIED)		DIMENSION STYLE MM ONLY		SCALE NTS	DESIGN UNITS METRIC	THIRD ANGLE PROJECTION		
	$\nabla_{\text{A}}=0$	mm	INCH	DRAWN BY	DATE	TITLE				
	$\nabla_{\text{B}}=0$	4 PLACES ± --- ± ---	GMENARLY	2009/07/16	MICROSAS PLUG R/A, STRADDLE MOUNT VELA					
	$\nabla_{\text{C}}=0$	3 PLACES ± --- ± ---	CHECKED BY	DATE	<b>molex</b>					
$\nabla_{\text{D}}=0$	2 PLACES ± 0.20 ± ---	CGOH	2009/09/03	MATERIAL NO.						DOCUMENT NO.
	1 PLACE ± --- ± ---	APPROVED BY		DATE		78528-0001		SD-78528-001		4 OF 6
	0 PLACE ± --- ± ---	BOKOK		2009/09/03		THIS DRAWING CONTAINS INFORMATION THAT IS PROPRIETARY TO MOLEX INCORPORATED AND SHOULD NOT BE USED WITHOUT WRITTEN PERMISSION				
		ANGULAR ± 3 °								
		DRAFT WHERE APPLICABLE MUST REMAIN WITHIN DIMENSIONS								
A2	REV									



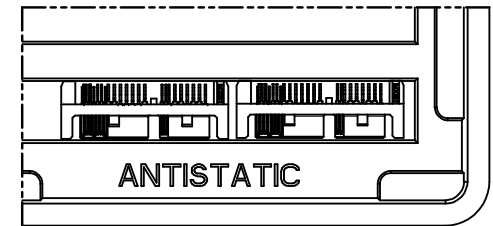
RECOMMENDED PCB LAYOUT

SEE SHEET 2 EC NO: S2013-0183 DRAWN: GMENARLY 2012/10/02 CHKD: SCHEONG 2012/10/08 APPR: BOKKOK 2012/10/08	QUALITY SYMBOLS	GENERAL TOLERANCES (UNLESS SPECIFIED)		DIMENSION STYLE MM ONLY		SCALE NTS	DESIGN UNITS METRIC	THIRD ANGLE PROJECTION		
	$F_A=0$ $F_C=0$ $F_P=0$	mm	INCH	DRAWN BY GMENARLY	DATE 2009/07/16	TITLE MICROSAS PLUG R/A, STRADDLE MOUNT VELA				
		4 PLACES ± --- ± ---	3 PLACES ± --- ± ---	CHECKED BY CGOH	DATE 2009/09/03	APPROVED BY BOKKOK				
		2 PLACES ± 0.20 ± ---	1 PLACE ± --- ± ---	MATERIAL NO. 78528-0001	DATE 2009/09/03	DOCUMENT NO. SD-78528-001				SHEET NO. 5 OF 6
A2	DESCRIPTION	DRAFT WHERE APPLICABLE MUST REMAIN WITHIN DIMENSIONS		SIZE A3	THIS DRAWING CONTAINS INFORMATION THAT IS PROPRIETARY TO MOLEX INCORPORATED AND SHOULD NOT BE USED WITHOUT WRITTEN PERMISSION					

# PACKAGING INFORMATION



PART ORIENTATION IN TRAY



DETAIL2

DETAIL2

NOTES:

1. MATERIAL : PVC - CLEAR, ANTISTATIC
2. QTY PER TRAY : 54PCS

SEE SHEET 2 EC NO: S2013-0183 DRWN:GMENARLY 2012/10/02 CHKD:SCHEONG 2012/10/08 APPR:BOKOK 2012/10/08	QUALITY SYMBOLS $F_{\Delta} = 0$ $F_{\square} = 0$ $F_{\circ} = 0$	GENERAL TOLERANCES (UNLESS SPECIFIED)		DIMENSION STYLE MM ONLY		SCALE NTS	DESIGN UNITS METRIC	THIRD ANGLE PROJECTION		
			mm	INCH	DRAWN BY GMENARLY	DATE 2009/07/16	TITLE MICROSAS PLUG R/A, STRADDLE MOUNT VELA			
A2	REV	4 PLACES	± ---	± ---	CHECKED BY CGOH	DATE 2009/09/03	DOCUMENT NO. SD-78528-001			
		3 PLACES	± ---	± ---	APPROVED BY BOKOK	DATE 2009/09/03				
		2 PLACES	± 0.20	± ---	MATERIAL NO. 78528-0001					
		1 PLACE	± ---	± ---						THIS DRAWING CONTAINS INFORMATION THAT IS PROPRIETARY TO MOLEX INCORPORATED AND SHOULD NOT BE USED WITHOUT WRITTEN PERMISSION
		0 PLACE	± ---	± ---	ANGULAR ± 3 ° DRAFT WHERE APPLICABLE MUST REMAIN WITHIN DIMENSIONS					
										SIZE A3