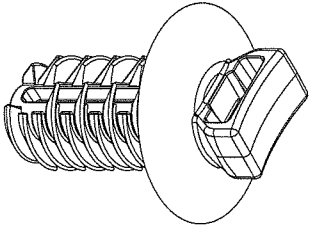
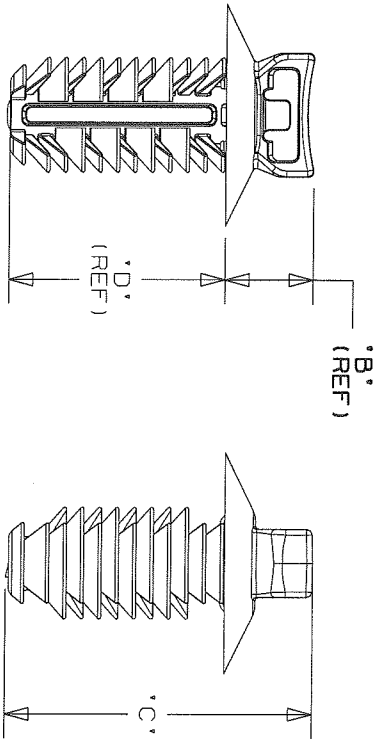
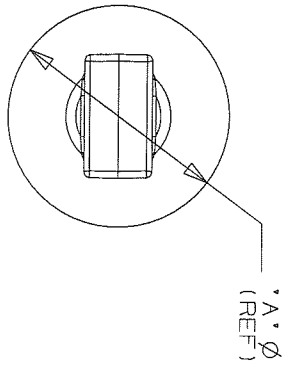


THIS COPY IS PROVIDED ON A RESTRICTED BASIS AND IS NOT TO BE USED IN ANY WAY DETRIMENTAL TO THE INTERESTS OF PANDUIT CORPORATION.

PANDUIT PART NUMBER	USED WITH CABLE TIES	DIMENSIONS					MATERIAL	WEIGHT grams/100pcs
		'A' (REF)	'B' (REF)	'C'	'D' (REF)			
PUM-925--30	M, I, S, LH, H	19.6	6.6	26.7	19.1	HEAT STABILIZED NYLON 6/6 BLACK	116.4	

NOTES:

- SEE CURRENT PRICE SHEET FOR PART NUMBER SUFFIX DESIGNATION FOR PACKAGE SIZE, AND COLOR.
- (\* ) DIMENSIONAL VARIANCE IS POSSIBLE DUE TO MOLDING PROCESS RELATED SINK MARKS.
- APPLICATION SPECIFICATION:  
HOLE DIAMETER: 8.8 - 9.3 mm  
PANEL THICKNESS: 1.0 - 16.0 mm



SCALE 1.5:1

CAD FILENAME/LAYERS  
G03151BC\_DC\_GB0239MO/09B  
**PANDUIT**  
CORP.  
TINLEY PARK, ILLINOIS

PUM-925--30  
PUSH UMBRELLA MOUNT 925

UNLESS OTHERWISE SPECIFIED, ALL DIMENSIONS ARE METRIC  
TOLERANCE: ±0.5MM

REV	DATE	BY	CHK	DESCRIPTION	ECN	R	CUST	SUP
09B	9-26-08	PSG		ADDED, & RENAMED DIMENSIONS	GB0239MO		09B	
09A	8-22-08	PSG		REMOVED 2 DIM, REMOVED RIB FROM HEAD, UPDATED FILE NAME AND CHANGED REV STYLE	GB0239MO		09A	
R	12-29-06	TMSA		INITIAL RELEASE	GB0239MO	R		

DRAWN BY TMSA	MAT'L:	SCALE 1.5:1 UNLESS NOTED
DATE 12-29-06	SEE TABLE	DWG GB0239MO
CHK'D KLN		DWG A SIZE