

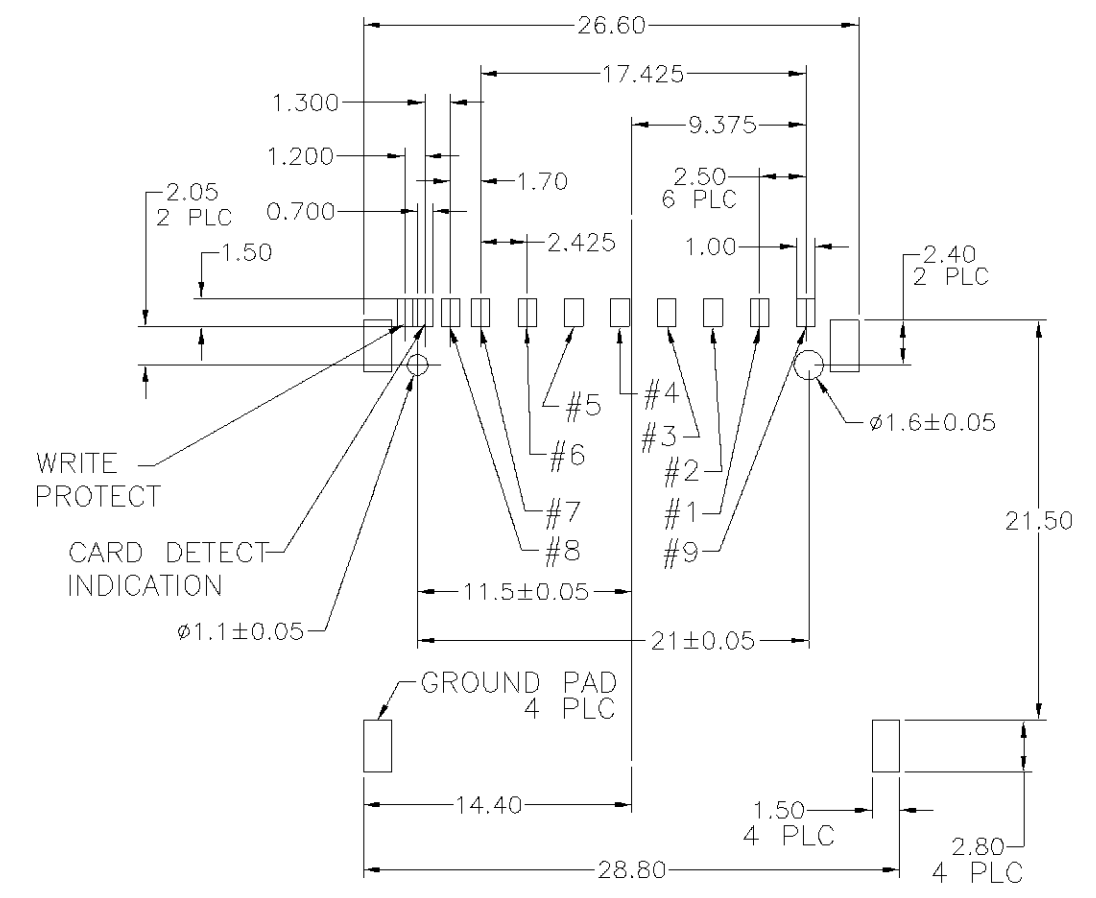
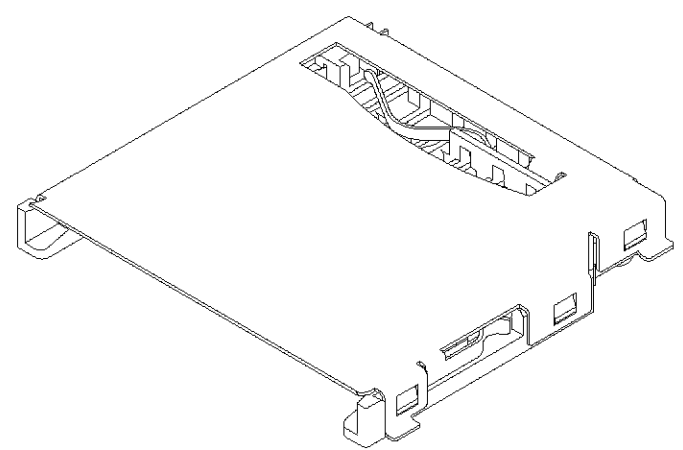
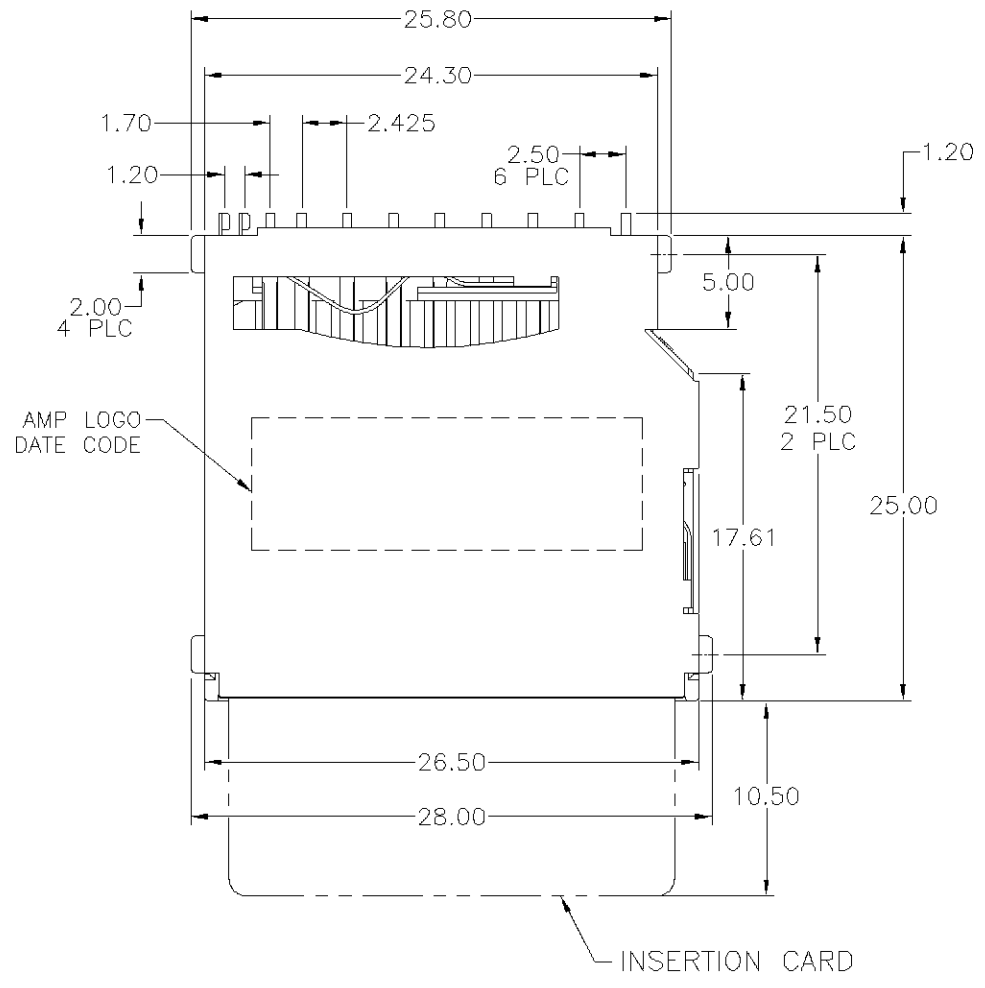
NUMBER
C-440297

3RD ANGLE PROJECTION

METRIC

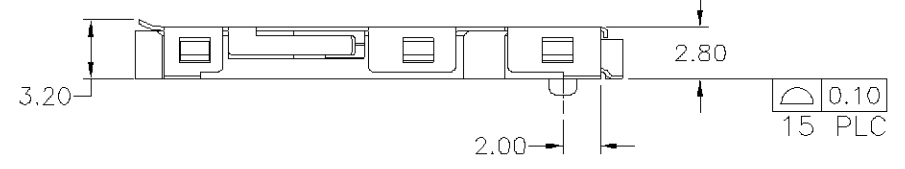
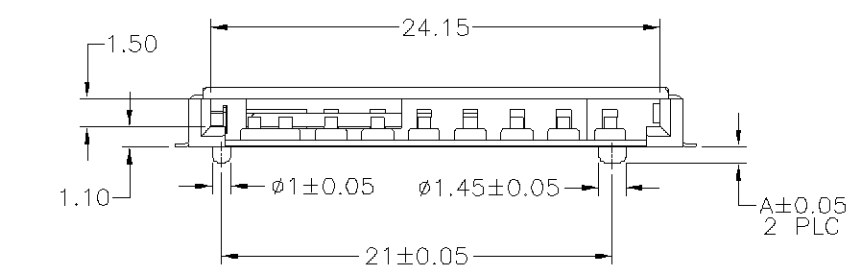
THIS INFORMATION IS CONFIDENTIAL AND IS DISCLOSED TO YOU ON CONDITION THAT NO FURTHER DISCLOSURE IS MADE BY YOU TO OTHER THAN AMP PERSONNEL WITHOUT WRITTEN AUTHORIZATION FROM AMP (TAIWAN) LTD. DIMENSION IN MILLIMETERS. DO NOT SCALE PRINT.

PRINT
DW

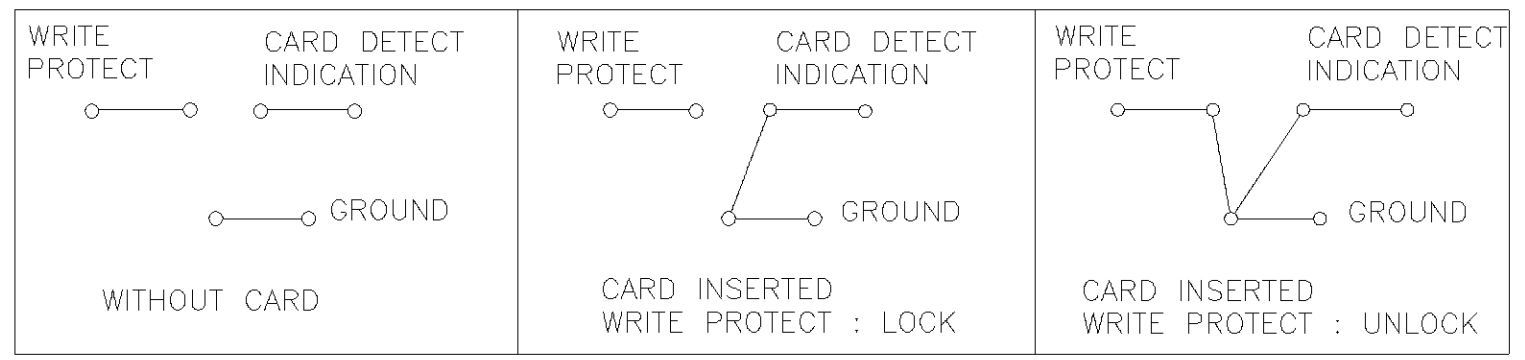


RECOMMENDED PCB LAYOUT
(TOLERANCE: ±0.1)

- NOTE:
- MATERIAL:
HOUSING: THERMOPLASTIC UL 94V-0, COLOR: IVORY.
CONTACT: COPPER ALLOY.
SHIELD: STAINLESS STEEL.
 - FINISH:
CONTACT: 10u" MIN. GOLD PLATED IN CONTACT AREA, TIN-LEAD ON SOLDER TAILS, NICKEL UNDERPLATED ALL OVER.
SHIELD: GOLD PLATED IN SOLDERING AREA, ALL OVER NICKEL.
 - SWITCH: NORMALLY OPEN.
 - DURABILITY: 10000 CYCLES.
 - ELECTRICAL CHARACTERISTICS:
TERMINATION RESISTANCE: 100 MILLIOHM MAX.
WITHSTANDING VOLTAGE (DWV): 500 VAC.
INSULATION RESISTANCE: 1000 MOHM INITIAL AT 500 VDC.
OPERATING CURRENT: 0.5A MAX PER CONTACT.
OPERATING VOLTAGE: 5.0 VAC MAX.
 - OPERATING TEMPERATURE: -25°C TO 90°C



CIRCUIT :



0.45	TAPE REEL	440297-4
0.45	TRAY	440297-3
0.85	TAPE REEL	440297-2
0.85	TRAY	440297-1
DIM A	PACKAGING	PART NUMBER

DIMENSION : 0 PLC ±0.5 1 PLC ±0.3 2 PLC ±0.2 3 PLC ±0.1 ANGLES ±5'	DWN J. CHENG 06-FEB-2003	 TYCO HOLDINGS (BERMUDA) VII LTD. TAIWAN BRANCH
	CHK J. WU 06-FEB-2003	
MATERIAL SEE NOTE	APVD J. WU 06-FEB-2003	NAME SECURITY DIGITAL CARD CONNECTOR
FINISH SEE NOTE	PRODUCT SPEC 108-57127	LOC DW
	APPLICATION SPEC -	SIZE A3
	WEIGHT	DRAWING NO C-440297
		REV B
		SCALE --
		SHEET 1 OF 3

B	REVISED PCB LAYOUT	FZ00-0029-03	JC JW	06FEB 2003
A	REVISED	FZ00-0091-01	AW JC	14SEP 2001
O	FIRST RELEASED	FW00-0049-01	AW JC	13APR 2001
LTR	REVISION RECORD	ECN	DWN CHK	DATE

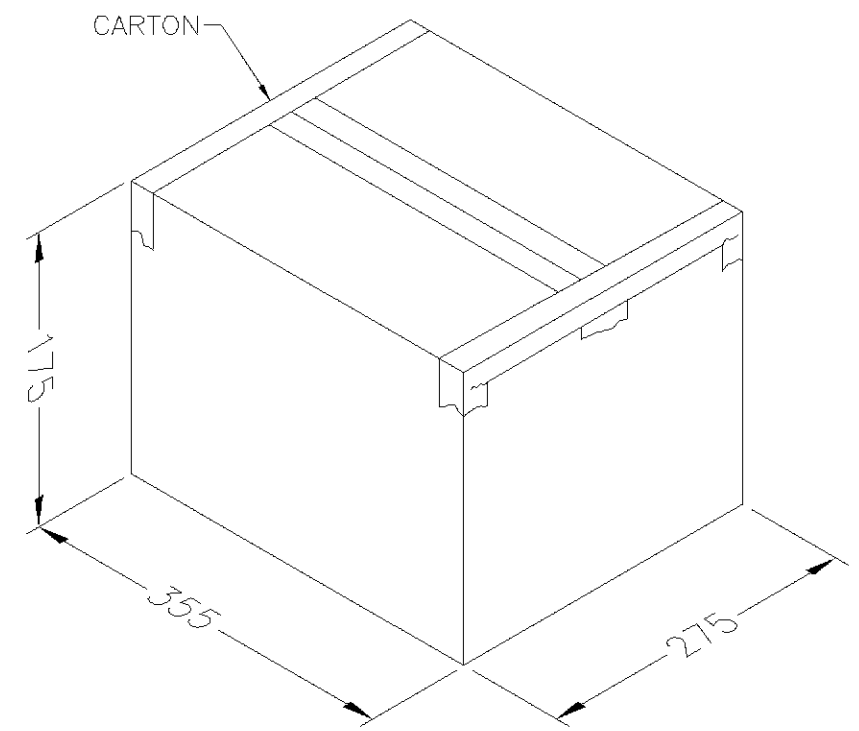
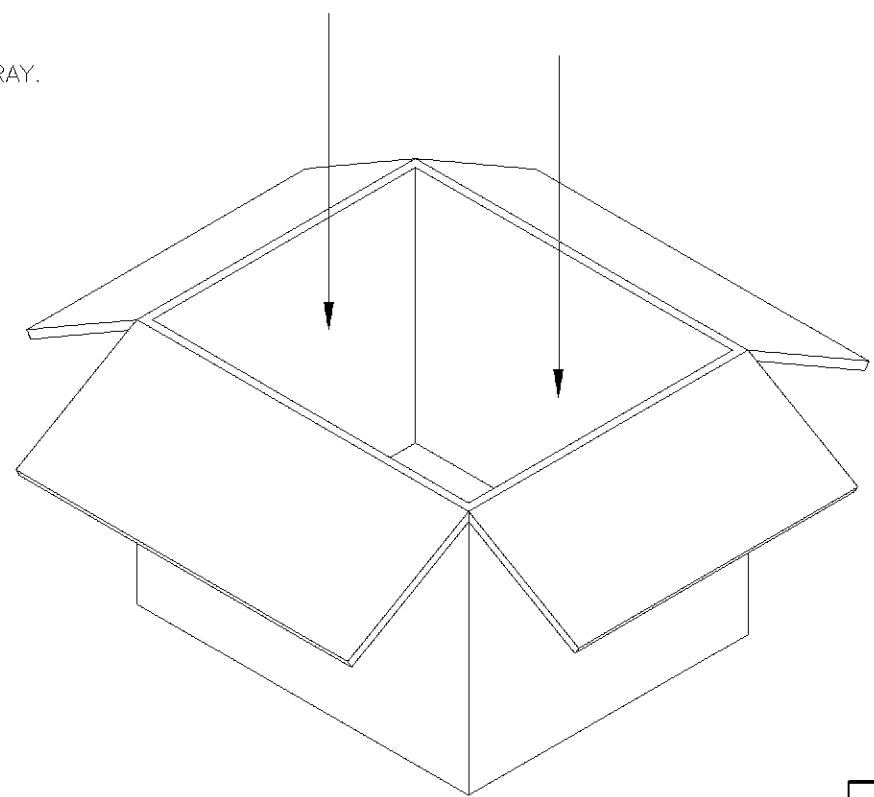
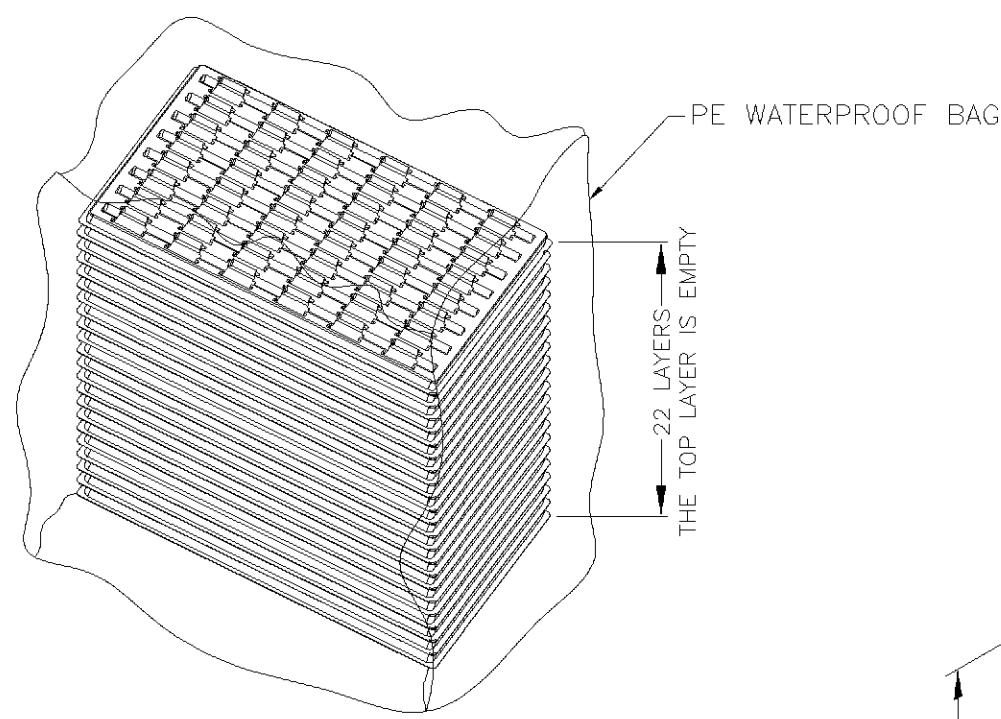
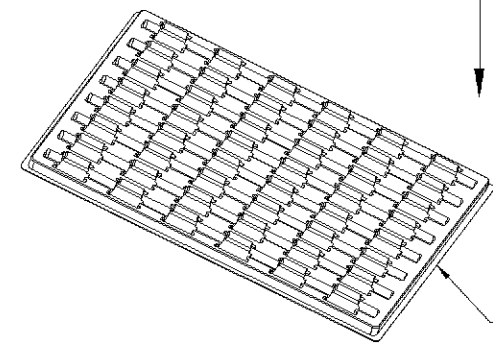
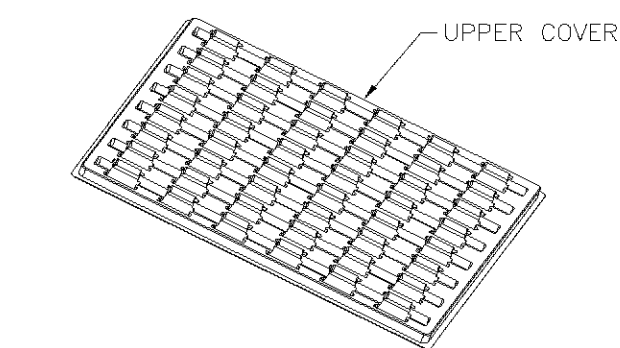
NUMBER
C-440297

3RD ANGLE PROJECTION

METRIC

THIS INFORMATION IS CONFIDENTIAL AND IS DISCLOSED TO YOU ON CONDITION THAT NO FURTHER DISCLOSURE IS MADE BY YOU TO OTHER THAN AMP PERSONNEL WITHOUT WRITTEN AUTHORIZATION FROM AMP (TAIWAN) LTD. DIMENSION IN MILLIMETERS. DO NOT SCALE PRINT.

PRINT DIST
DW



1000 PCS	3.6 KG
QUANTITY	WEIGHT

DIMENSION : 0 PLC ± 1 PLC ± 2 PLC ± 3 PLC ± ANGLES ±	DWN J. CHENG 06-FEB-2003	 TYCO HOLDINGS (BERMUDA) VII LTD. TAIWAN BRANCH			
	CHK J. WU 06-FEB-2003				
MATERIAL -	APVD J. WU 06-FEB-2003	NAME SECURITY DIGITAL CARD CONNECTOR			
	PRODUCT SPEC -				
FINISH -	APPLICATION SPEC -	LOC DW	SIZE A ₃	DRAWING NO C-440297	REV B
	WEIGHT	SCALE --	SHEET 2 OF 3		

SEE SHEET 1.	ECN	DWN	CHK	DATE
LTR	REVISION RECORD			

D
C
B
A

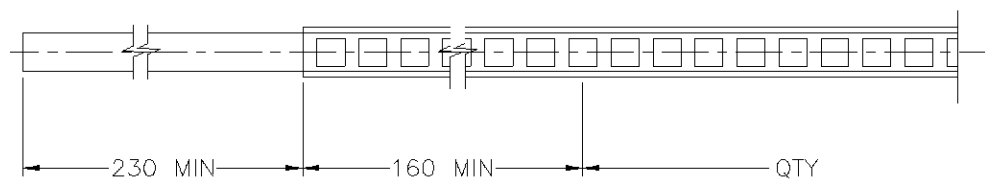
NUMBER
C-440297

3RD ANGLE PROJECTION

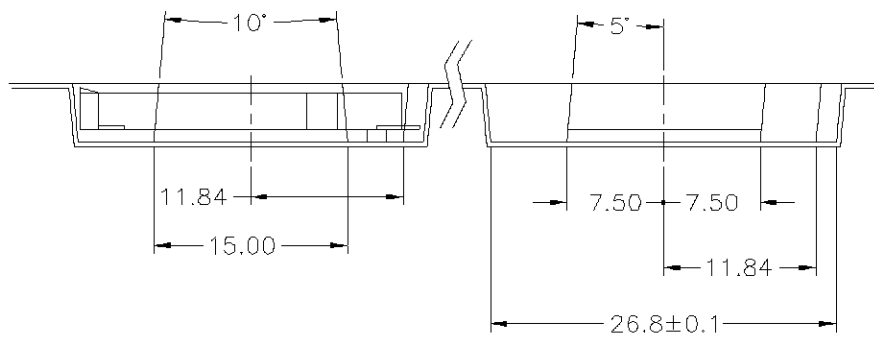
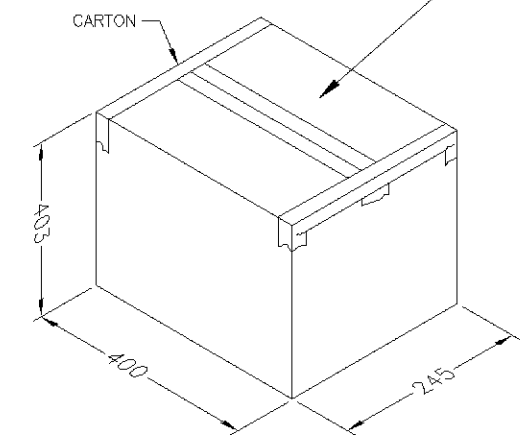
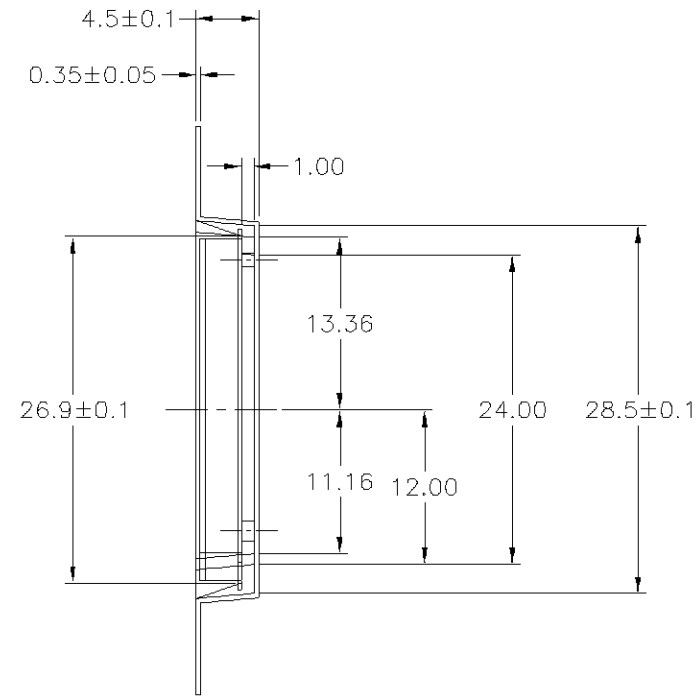
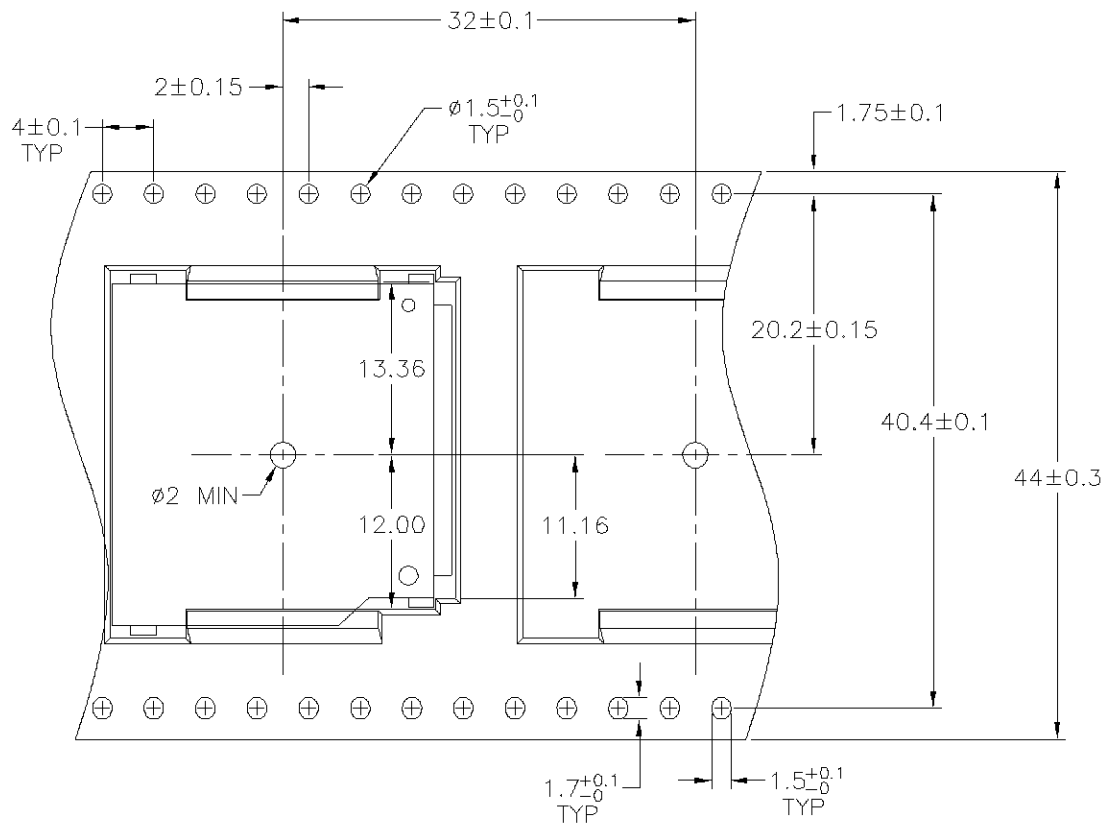
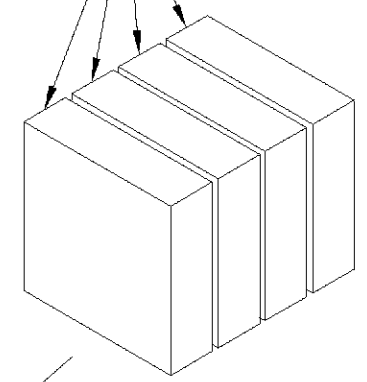
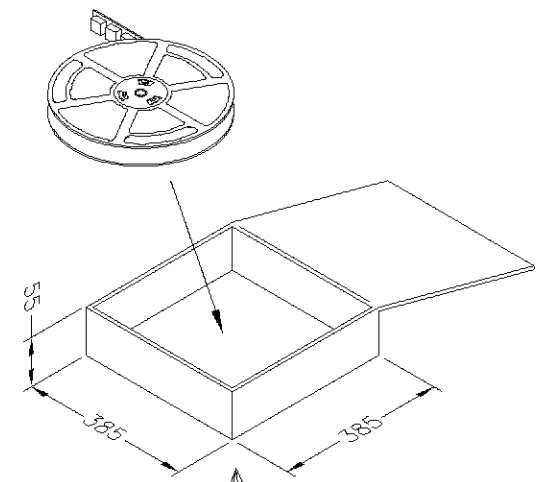
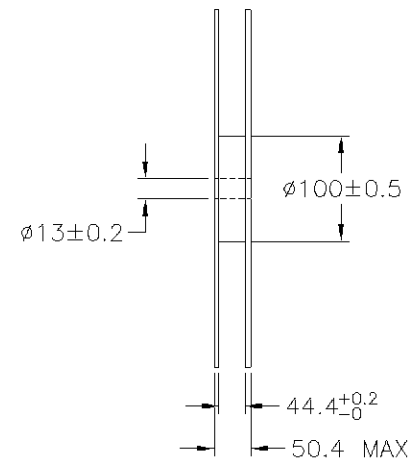
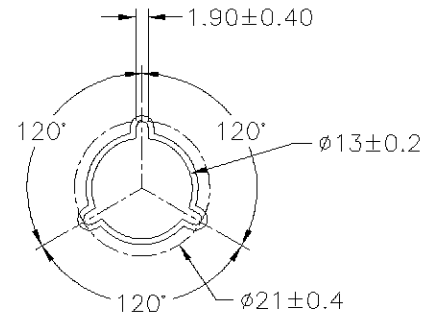
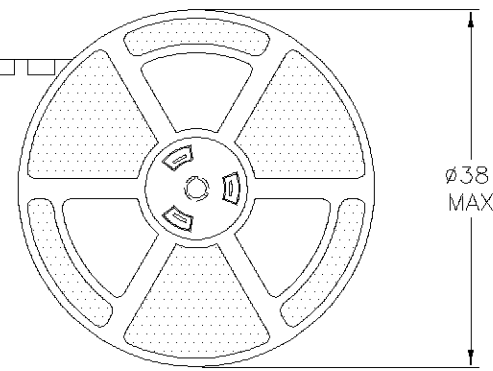
METRIC

THIS INFORMATION IS CONFIDENTIAL AND IS DISCLOSED TO YOU ON CONDITION THAT NO FURTHER DISCLOSURE IS MADE BY YOU TO OTHER THAN AMP PERSONNEL WITHOUT WRITTEN AUTHORIZATION FROM AMP (TAIWAN) LTD. DIMENSION IN MILLIMETERS. DO NOT SCALE PRINT.

PRINT
DW



PULL OUT DIRECTION



2400 PCS	600 PCS
QUANTITY	TAPE REEL

DIMENSION : 0 PLC ± 0.3 1 PLC ± 0.25 2 PLC ± 0.2 3 PLC \pm ANGLES $\pm 0.5^{\circ}$		DWN J. CHENG 06-FEB-2003 CHK J. WU 06-FEB-2003		tyco Electronics TYCO HOLDINGS (BERMUDA) VII LTD. TAIWAN BRANCH	
MATERIAL -		APVD J. WU 06-FEB-2003		NAME SECURITY DIGITAL CARD CONNECTOR	
FINISH -		APPLICATION SPEC -		LOC DW SIZE A3 DRAWING NO C-440297 REV B	
WEIGHT -		SCALE --		SHEET 3 OF 3	

LTR	SEE SHEET 1.	ECN	DWN/CHK	DATE
	REVISION RECORD			