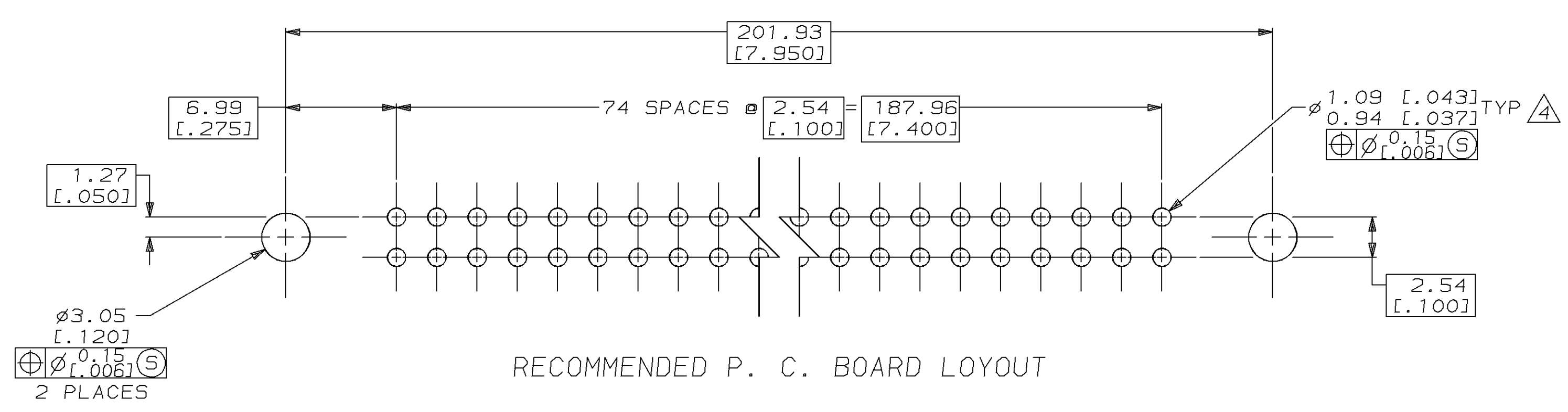
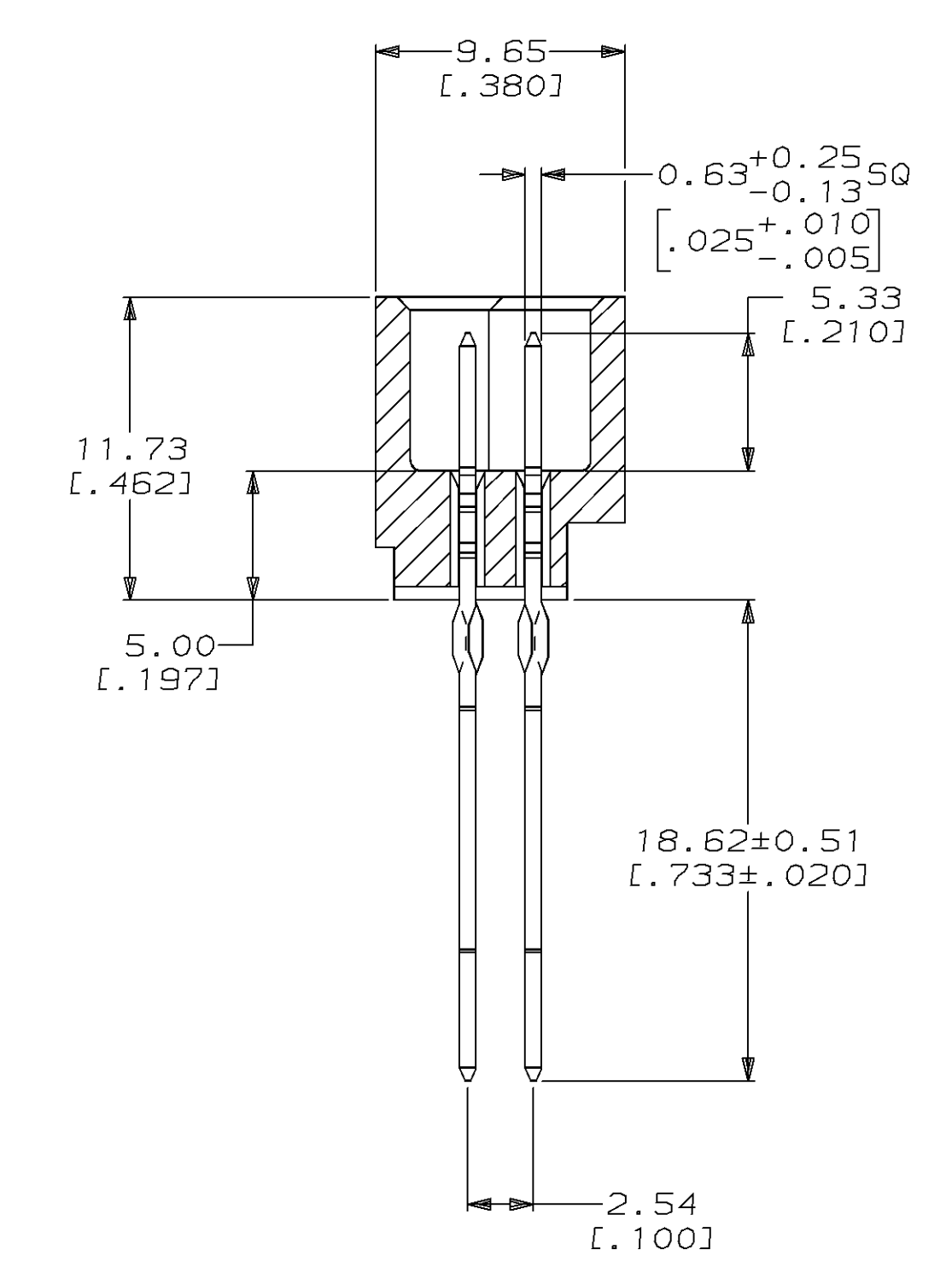
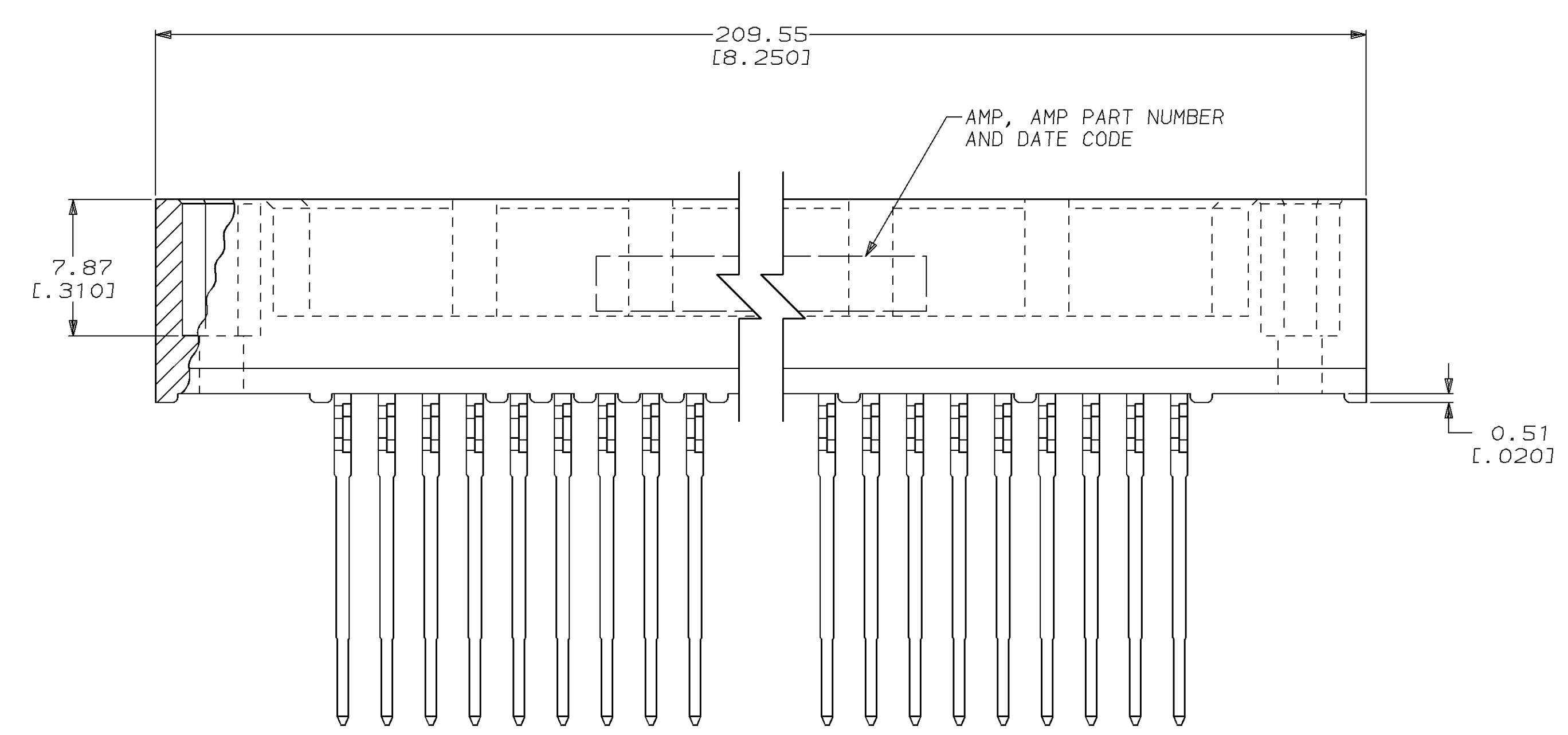


- 1 HOUSING MATERIAL: THERMOPLASTIC, COLOR-NATURAL.
- 2 CONTACT MATERIAL: PHOSPHOR BRONZE.
- 3 CONTACT FINISH: .00127-.00254 [0.00050-.000100] NICKEL UNDERPLATE ALL OVER; 0.00127 [0.00050] DURAGOLD PLATE IN CONTACT AREA, TIN-LEAD PLATED POSTS.
- 4 ACTION PIN POSTS REQUIRE 2.36 [0.093] MIN THICK P.C. BOARD. RECOMMENDED P.C. BOARD HOLES ARE Ø1.151 [0.0453] PLATED THRU WITH 0.025-0.076 [0.001-.003] COPPER, WITH 0.0076 [0.0003] MIN TIN-LEAD PLATING; FINISHED HOLE AFTER PLATING Ø0.94-1.09 [0.037-0.431].



650835-1
PART NUMBER

THIS DRAWING IS A CONTROLLED DOCUMENT FOR AMP INCORPORATED. IT IS SUBJECT TO CHANGE AND THE CONTROLLING ENGINEERING ORGANIZATION SHOULD BE CONTACTED FOR THE LATEST REVISION.		DWN T. SHUEY 1-24-95	AMP Incorporated Harrisburg, PA 17105-3608
DIMENSIONS: mm (INCHES)		CHK G. SKIPPER 1-26-95	NAME PIN ASSEMBLY, HDI, 2 ROW WITH 18.62 [0.733] LONG ACTION PINS AND 0.00127 [0.00050] DURAGOLD
TOLERANCES UNLESS OTHERWISE SPECIFIED:		APVD G. SKIPPER 1-26-95	PRODUCT SPEC
0 PLC	±	APPLICATION SPEC	SCALE 4:1
1 PLC	±	WEIGHT	SHEET 1 OF 1
2 PLC	±	CUSTOMER DRAWING	REV 0
3 PLC	±0.13 (0.005)		
4 PLC	±		
ANGLES	±		
FINISH	±		