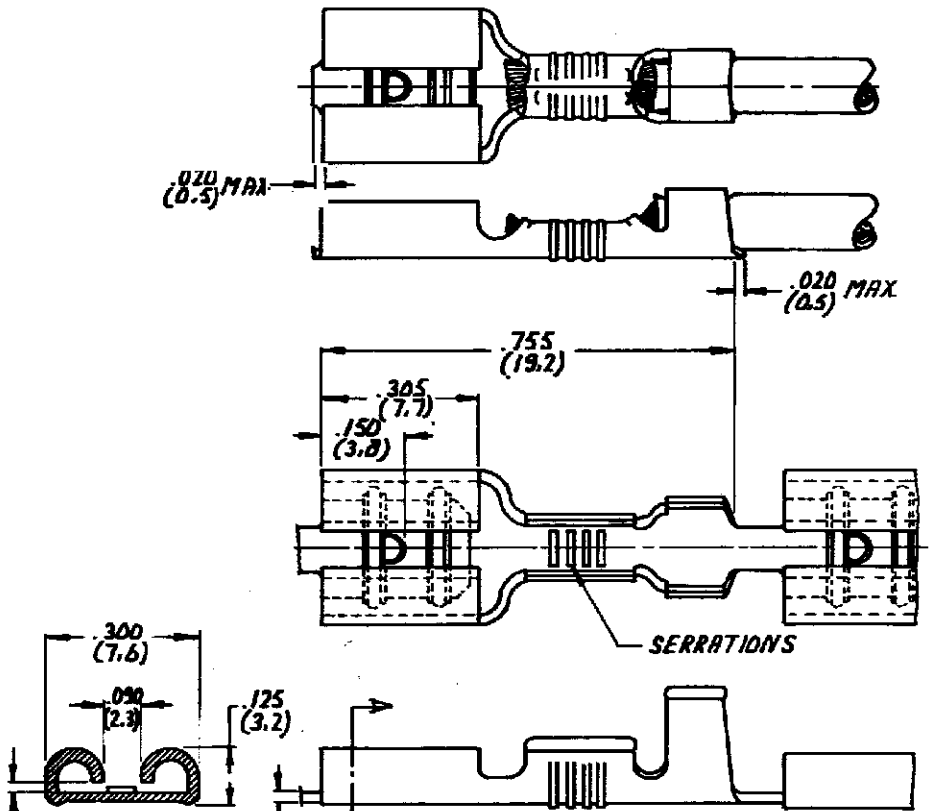


NUMBER C-160807

DRAWING MADE IN AMERICAN PROJECTION

		REVISIONS		
LTR	DESCRIPTION	DATE	DWN	APVD
A1	REVISED PER ECO-09-022178	25SEP09	KK	AEG



FOR .031 TAB THICKNESS

1) FOR USE ON STANDARD APPLICATORS (RIGHT-LEFT FEED) AND ON MINIATURE APPLICATORS (LEFT-RIGHT FEED).

- 2 HIGH INSERTION FORCE VERSION
- 3 OBSOLETE PARTS: OBSOLETE CISTREAMLINING PER D.RENAUD/D.SINSI

**CUSTOMER COPY FOR REFERENCE ONLY**

©1981 BY AMP-HOLLAND N.V. ALL RIGHTS RESERVED A-MP PRODUCTS COVERED BY PATENTS AND OR PATENTS PENDING.



160807-2 A	NICKEL SILVER		
160807-1	S 104		
ORDER NO.	M	MATERIAL	PLATING
DR R.V.H. 26.2.81	DATE	DE KK	DATE 25/09/09
DATE 3.2.81	DATE	DATE	DATE 4.8.81

WIRE RANGE 0.5-1.5 mm <sup>2</sup>	INS. JL. RANGE 280-130 D.I.A. (2.2-3.3)	FIRST USED	SCALE N.O.S.	SIZE A	NO C-160807	REV A1
NAME 250 SER. FASTON RECEPTACLE						

DIMENSIONS IN INCH DO NOT SCALE PRINT