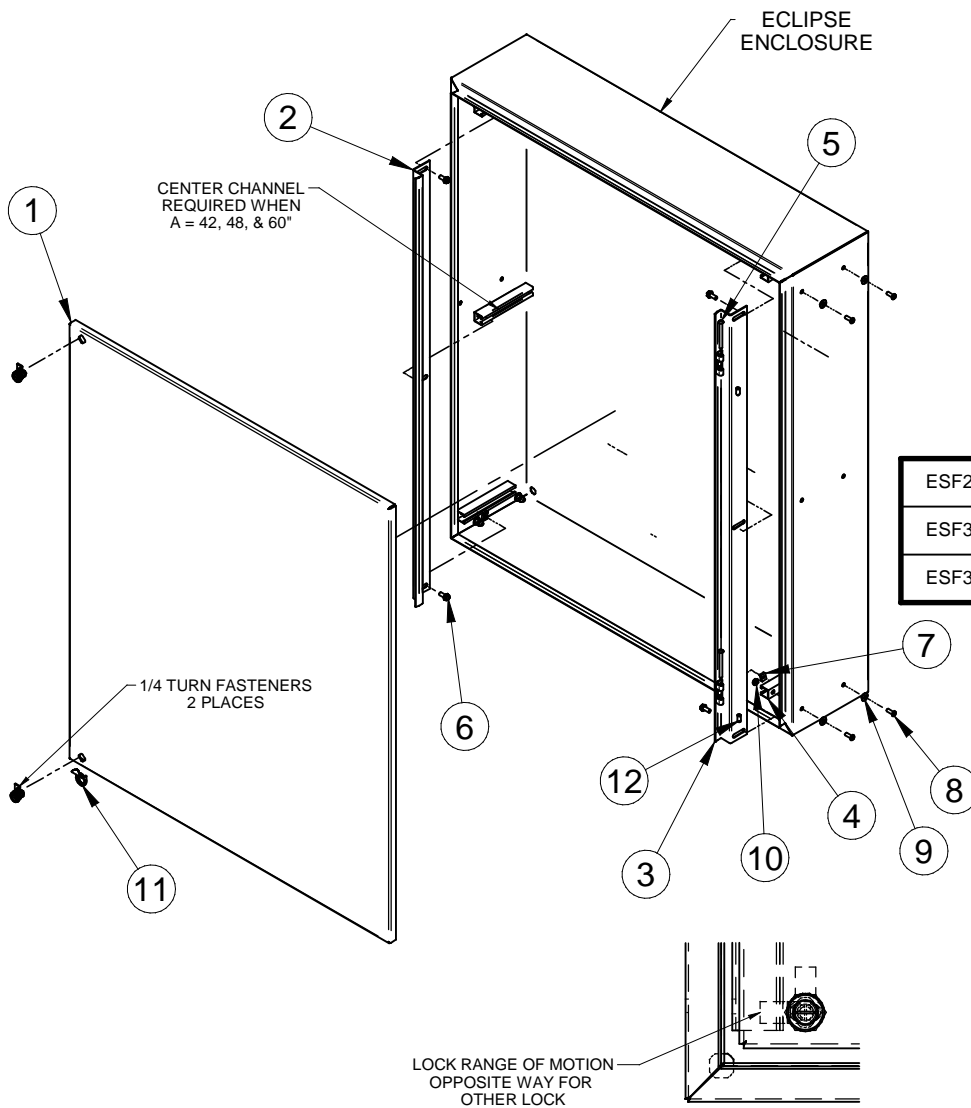


ECLIPSE SERIES

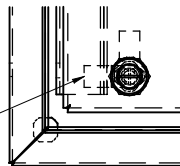
BUL10120

REV. E

ASSEMBLY INSTRUCTIONS FOR SWING PANEL & SWING FRAME



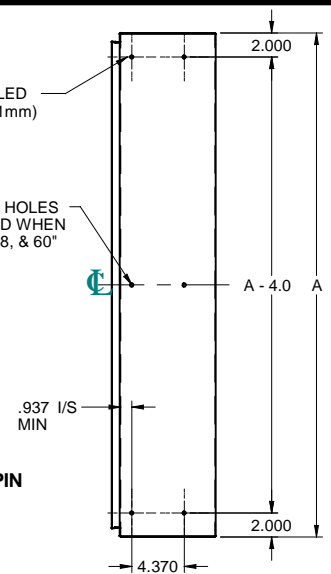
SWING PANEL / FRAME	A	B	No. OF HINGES	
ESP1212	12.00	12.00	2	
ESP1612	16.00	12.00	2	
ESP1616	16.00	16.00	2	
ESP1620	16.00	20.00	2	
ESP2016	20.00	16.00	2	
ESP2020	20.00	20.00	2	
ESP2416	24.00	16.00	2	
ESP2420	24.00	20.00	2	
ESP3020	30.00	20.00	3	
ESP2024	20.00	24.00	2	
ESF2424	ESP2424	24.00	24.00	2
ESF3024	ESP3024	30.00	24.00	3
ESF3624	ESP3624	36.00	24.00	3
ESP3030	30.00	30.00	3	
ESP3630	36.00	30.00	3	
ESP3636	36.00	36.00	3	
ESP4236	42.00	36.00	4	
ESP4824	48.00	24.00	4	
ESP4836	48.00	36.00	4	
ESP6036	60.00	36.00	4	



LOCK RANGE OF MOTION OPPOSITE WAY FOR OTHER LOCK

FOR FIELD INSTALLED KITS DRILL 0.281" (7.1mm) DIA HOLES (SEE STEP A)

CENTER HOLES REQUIRED WHEN A = 42, 48, & 60"



DRILL DETAIL

ITEM #	QTY.	DESCRIPTION
1	1	SWING PANEL / FRAME
2	1	VERTICAL RAIL LOCK SIDE
3	1	VERTICAL RAIL HINGE SIDE
4	4 OR 6	C CHANNEL
5	2, 3 OR 4	HINGE PIN
6	4 OR 6	1/4-20 SCREW
7	4 OR 6	1/4-20 C CHANNEL NUT
8	8 OR 12	1/4-20 BUTTON HEAD SCREW
9	8 OR 12	1/4-20 SEALING WASHER
10	8 OR 12	1/4-20 KEP NUT
11	1	FINGER PULL
12	2, 3 OR 4	HINGE PIN CAP

ASSEMBLY INSTRUCTIONS

- FOR FIELD INSTALLED KITS MARK AND DRILL 0.281" (7.1mm) DIA HOLES 4 or 6 PLACES EITHER SIDE AND MOUNT C CHANNELS (PART 4) USING 1/4-20 HARDWARE AND SEALING KIT PROVIDED (PARTS 8,9,10). SEE DRILL DETAIL.
- MOUNT VERTICAL RAILS (PART 2&3) TO C CHANNELS USING 1/4-20 SCREW AND C CHANNEL NUT (PARTS 6&7) TYP BOTH SIDES. MOUNT HINGED VERTICAL RAIL ON DESIRED SIDE FOR SWING OPENING.
- MOUNT SWING PANEL / FRAME (PART 1) TO HINGED VERTICAL RAIL (PART 3) USING HINGE PINS (PART 5) AND HINGE PIN CAPS (PART 12) PROVIDED.
- INSTALL 1/4 TURNS AND FINGER PULL IF REQUIRED. (SEE DETAIL A FOR LOCK INSTALLATION)

TOOL BOX	3/8, 7/16" Socket Wrench	3/8 or 7/16 Open Wrench	Centre Punch	Drill, use .281(7.1mm) BIT	Hammer	5/32 ALLEN KEY

