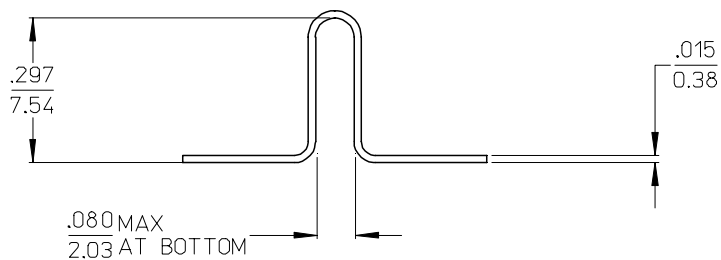
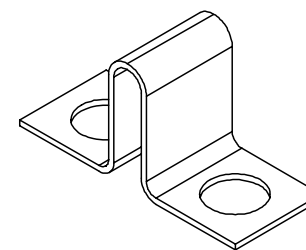
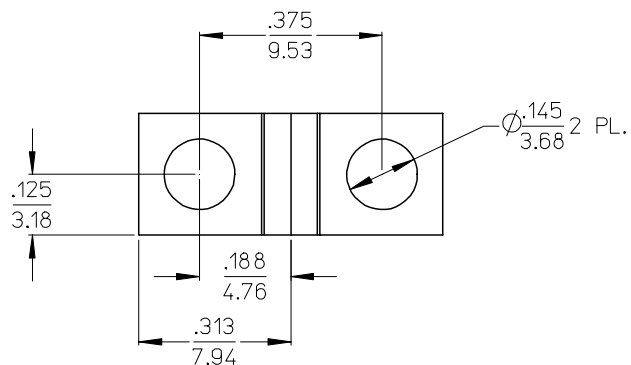


10 9 8 7 6 5 4 3 2 1

F
E
D
C
B
A



NOTES:

1. MATERIAL: BRASS (.015/0.38 THICK)
2. FINISH: SEE TABLE
3. ALL DIMENSIONS ARE IN INCHES/MM

| | | | | |
|---|--------------|-----------------|----------|------------------|
| B | 380021226 | 7231 | BRASS | NICKEL PLATE |
| | 380021225 | 7204-1401-A110 | BRASS | PLAIN (UNPLATED) |
| | MATERIAL NO. | ENGINEERING NO. | MATERIAL | FINISH |

| | | | | | | | | |
|---|-------------------------------|---|-------|-----------------|--------------|--------------------|------------------------|---------------------------|
| ADD MATERIAL NO. EC NO: ETC2006-0270 DRWN: CYORK 2006/02/27 CHKD: RDEROSS 2006/02/27 APPR: RDEROSS 2006/02/28 | QUALITY SYMBOLS ▽=0 ▽=0 | GENERAL TOLERANCES (UNLESS SPECIFIED) | | DIMENSION STYLE | SCALE | DESIGN UNITS | THIRD ANGLE PROJECTION | |
| | | | | IN/MM | 4:1 | INCH | | |
| | | | | mm | INCH | DRAWN BY | DATE | TITLE |
| | | | | 4 PLACES ± --- | ±.0015 | ASAYDEH | 06/02/06 | JUMPER TERMINAL HOLE TYPE |
| | | 3 PLACES ± 0.038 | ±.005 | CHECKED BY | DATE | | | |
| | | 2 PLACES ± 0.13 | ±.01 | JLOMASTRO | 06/02/06 | | | |
| | | 1 PLACE ± 0.3 | ±.1 | APPROVED BY | DATE | | | |
| | | ANGULAR ±1/2° | | RDEROSS | 06/02/06 | MOLEX INCORPORATED | | |
| | | DRAFT WHERE APPLICABLE MUST REMAIN WITHIN DIMENSIONS | | MATERIAL NO. | DOCUMENT NO. | SHEET NO. | | |
| | | | | SEE CHART | SD-38002-038 | 1 OF 1 | | |
| | | THIS DRAWING CONTAINS INFORMATION THAT IS PROPRIETARY TO MOLEX INCORPORATED AND SHOULD NOT BE USED WITHOUT WRITTEN PERMISSION | | | | | | |

9 8 7 6 5 4 3 2 1