

4

3

2

1

THIS DRAWING IS UNPUBLISHED.

RELEASED FOR PUBLICATION

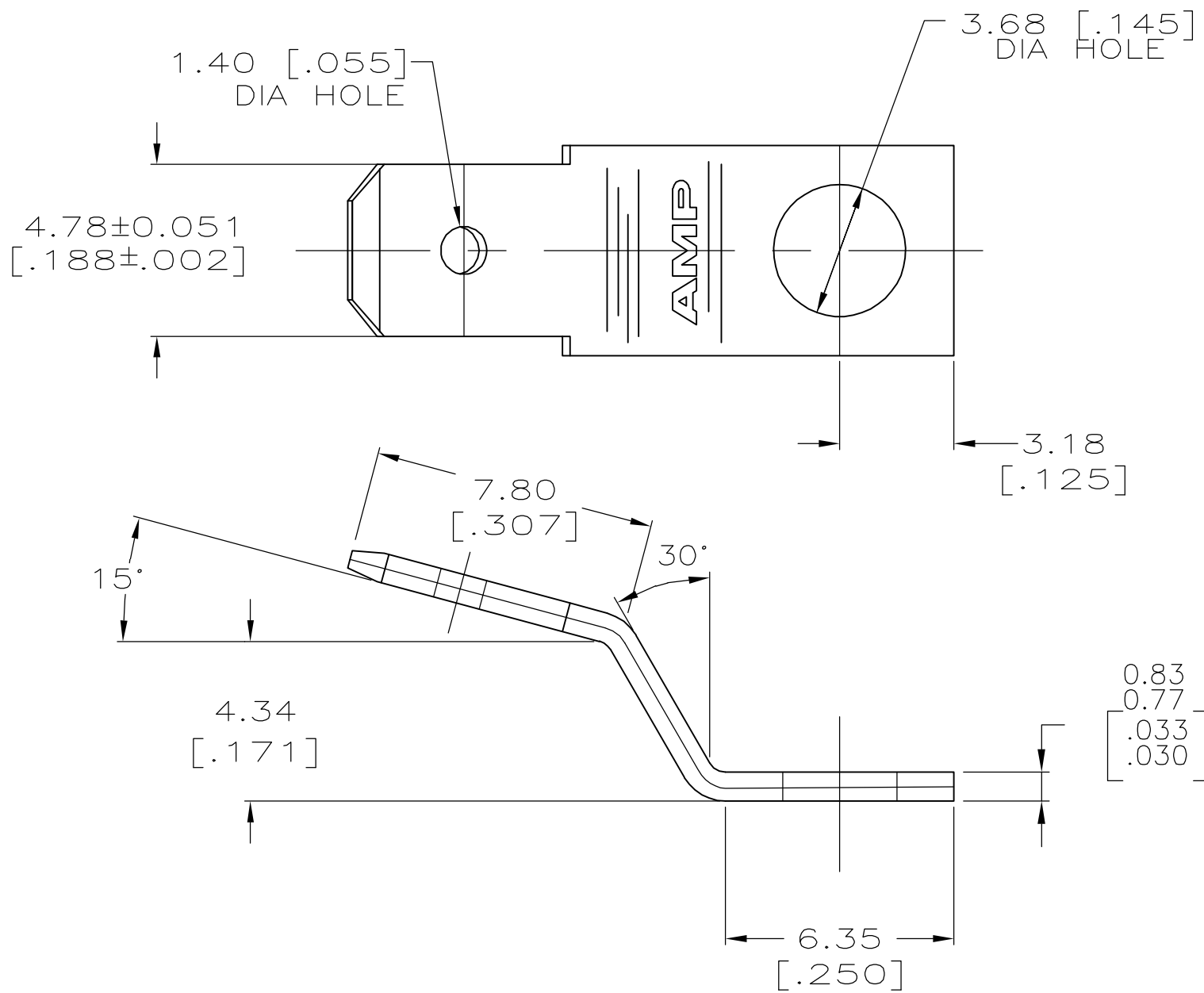
© COPYRIGHT - BY TYCO ELECTRONICS CORPORATION. ALL RIGHTS RESERVED.

LOC AF DIST 50

REVISIONS

P	LTR	DESCRIPTION	DATE	DWN	APVD
	F	REV PER ECR-05-017287	10APR06	HMR	JR

1 SUPPLIED IN LOOSE PIECE.



62162-1
PART NO.

THIS DRAWING IS A CONTROLLED DOCUMENT.		DWN JR RUTH 3/9/98	Tyco Electronics Corporation Harrisburg, PA 17105-3608			
DIMENSIONS: mm [INCHES]		CHK MS FEHER 3/9/98				
TOLERANCES UNLESS OTHERWISE SPECIFIED:		APVD J WORMAN 3/9/98	NAME			
0 PLC ± - 1 PLC ± - 2 PLC ± 0.38 [.015] 3 PLC ± - 4 PLC ± - ANGLES ± -		PRODUCT SPEC	TAB, FASTON, 4.75 [.187] SERIES			
MATERIAL 082 BRASS		FINISH TIN OVER COPPER	SIZE A3	CAGE CODE 00779	DRAWING NO C-62162	RESTRICTED TO
CUSTOMER DRAWING			WEIGHT -	SCALE 6:1	SHEET 1 OF 1	REV F