

1

2

3

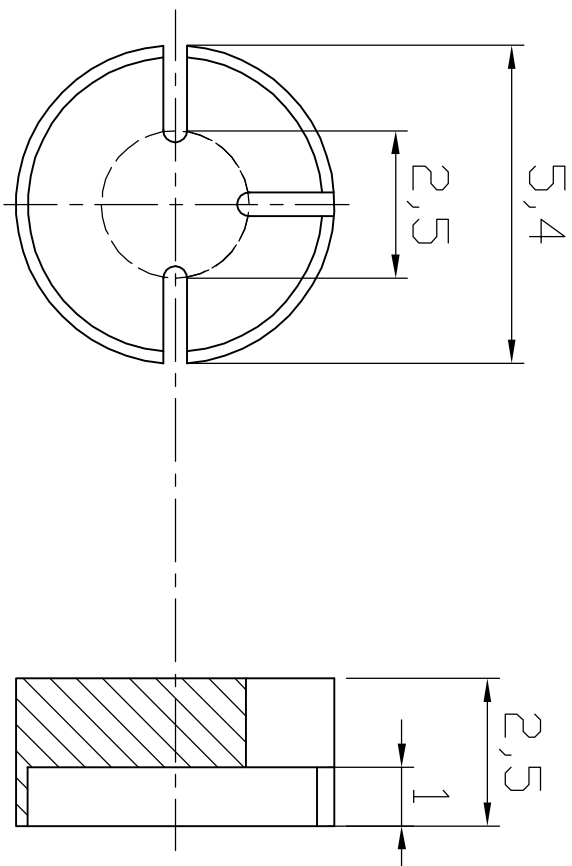
4

5

6

7

RoHS compliant



RoHS compliant
Unit:mm

Material : POLYPROPYLEN

Scale	free						Customer-No.	
TOLERANCE								
X.	±X				Drawn	Date	Name	
X.X	±X				20.08.2009	20.08.2009	Dean	
X.XX	±X				Approved	31.05.2011	Andy	
DIM	TOL	③	Material add.					ASSMANN WSW-No. V/4538R
X. °	±X°	②	Modify drawing layout			10.03.2010	Alex	Drawing-No. ASS 0921 HS
X.X°	±X°	①	Drawn			20.08.2009	Dean	rev03
Angle	TOL	Id.	Modification					Sheet



1

2

3

4

5

6

7

A	RoHS compliant							A
B	5,4							B
C	2,5							C
D	1							D
E								E
F	Material : POLYPROPYLEN							F
G	RoHS compliant Unit:mm							G
H	ASSMANN logo and drawing details							H