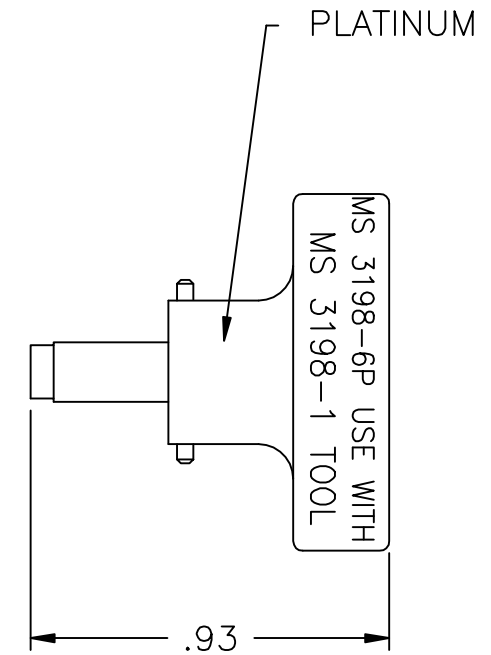
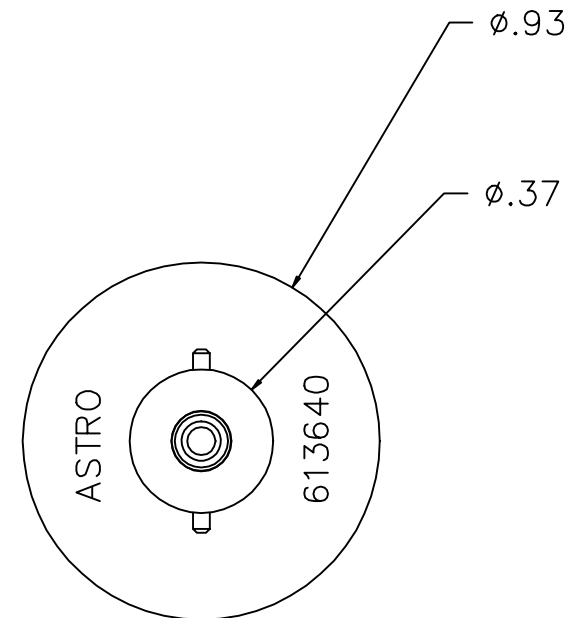
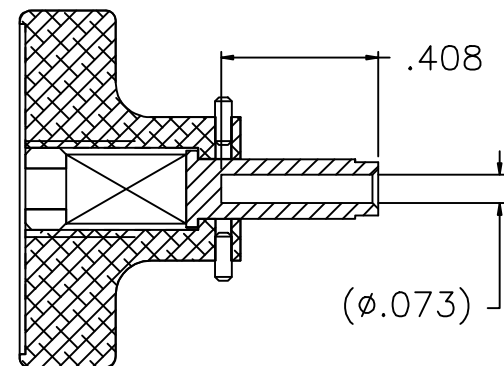


**UNCONTROLLED DOCUMENT  
WILL NOT BE UPDATED**


USE WITH CONTACTS

WIRE	22	24	26	28
-22 SEL.	4	3	2	
-22M SEL.	4	3	2	
-22D SEL.	4	3	2	1

MS27491-22 & -22M & -22D  
MS27492-22 & -22M & -22D  
M24308/12-1



NOTES: 1. THIS IS AN ACAD DRAWING DO NOT CHANGE MANUALLY.

					THESE DRAWINGS, SPECIFICATIONS OR OTHER DATA ARE AND REMAIN THE PROPERTY OF ASTRO TOOL CORP. AND MUST BE RETURNED UPON REQUEST. THEY CONTAIN INFORMATION OWNED AND/OR DEVELOPED BY ASTRO AT ITS OWN PRIVATE EXPENSE AND MAY NOT BE USED, DUPLICATED OR DISCLOSED TO OTHERS, IN WHOLE OR IN PART FOR DESIGN, MANUFACTURE OR PROCUREMENT WITHOUT THE WRITTEN PERMISSION OF ASTRO TOOL CORP. EACH AND EVERY TIME.	SCALE: N.T.S.	UNLESS OTHERWISE SPECIFIED: DECIMALS: .XXX ± .005 .XX ± .010 .X ± .030 ANGLES: ± 1°	 21615 S.W. TUALATIN VALLEY HWY., BEAVERTON OR 97006	CAGE 58164
A NEW RELEASE.					DYO	DWN BY: DYO			DESCRIPTION: ENVELOPE DRAWING: 613640 POSITIONER (MS3198-6P)
					10-11-11	DATE: 10-11-11			
REV.	DESCRIPTION				BY	DATE		APR.	PART NO. B 613640-ENV