

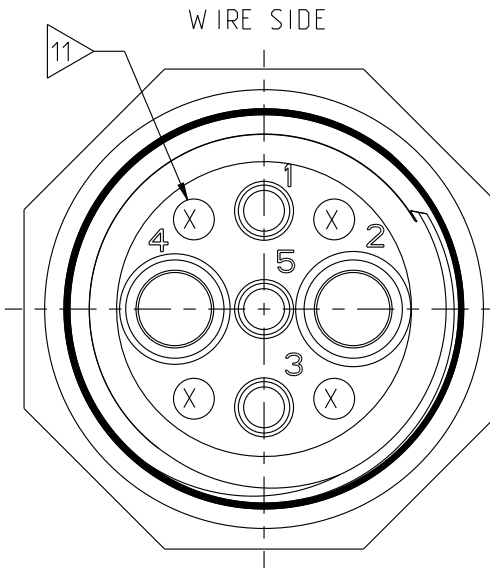
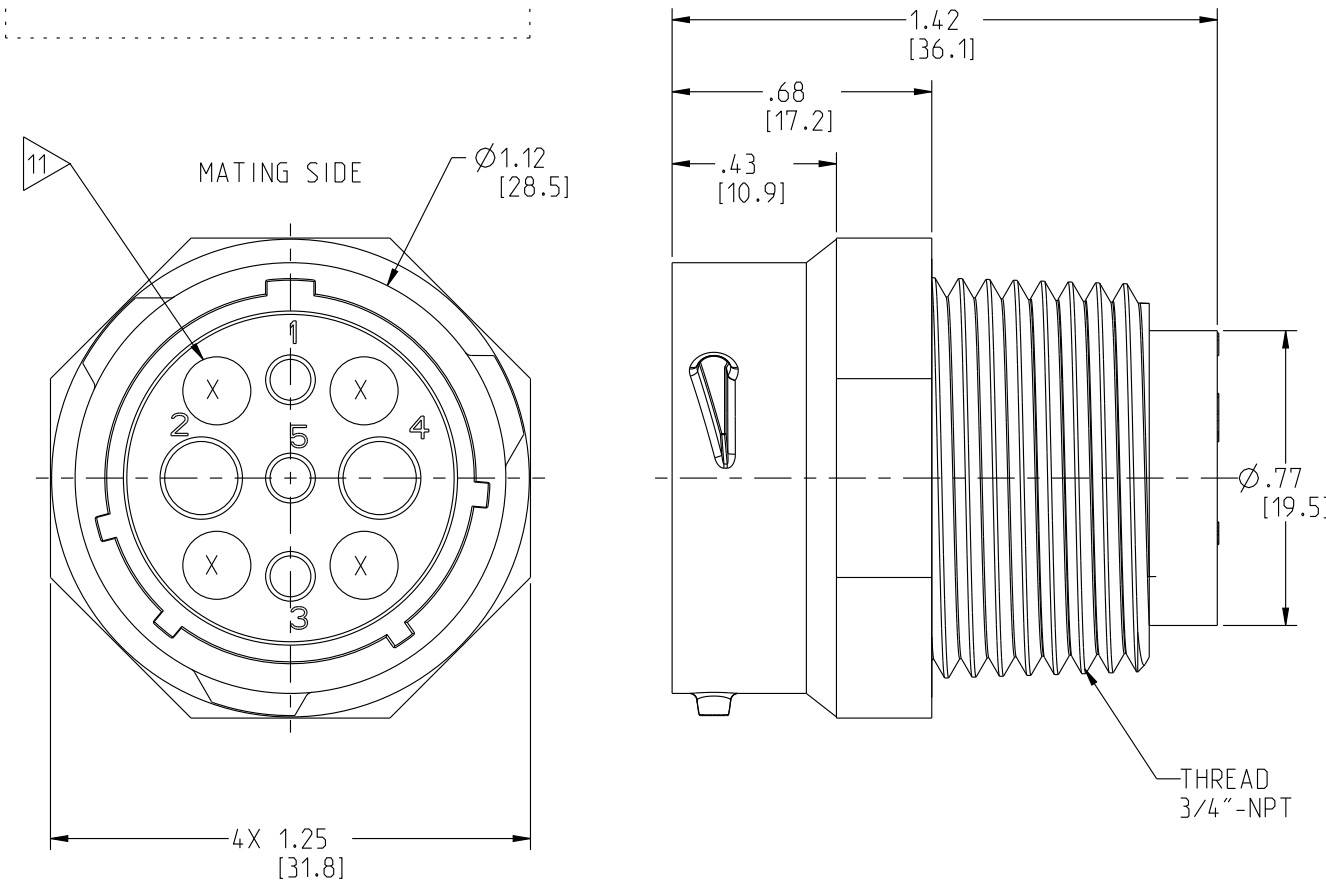
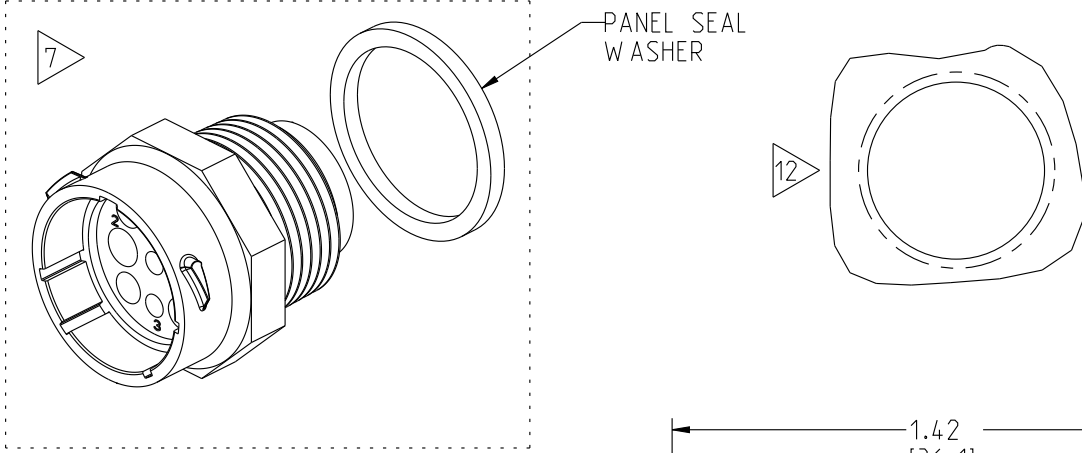
DWG. NO.
S100044

CIRCUIT	USE	MAXIMUM CURRENT (AMP)	MAXIMUM VOLTAGE (VAC)	MAXIMUM WIRE Ø (mm)
2,4	POWER	44	600	6.3
1,3,5	SIGNAL	13	250	3.3

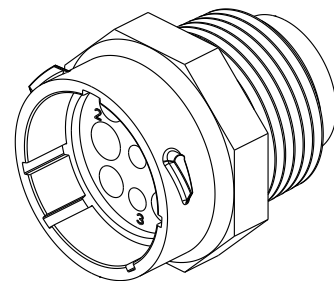
NOTES:

- MATES WITH UTS6__18X2M3S.
- CIRCUITS 2 & 4 USE Ø3.6mm TRIM TRIO PIN CONTACTS ORDERED SEPARATELY.
- CIRCUITS 1, 3, AND 5 USE Ø1.6mm TRIM TRIO PIN CONTACTS ORDERED SEPARATELY.
- MATERIALS: ALL RoHS COMPLIANT
 - RECEPTACLE SHELL: POLYAMIDE UL94VO, COLOR-BLACK.
 - WASHER: RUBBER
- MECHANICAL / ENVIRONMENTAL PERFORMANCE
 - OPERATING TEMPERATURE: -40° TO +105 °C.
 - CORROSION: SALT SPRAY, 500 HOURS.
 - DURABILITY: 250 MATE-UNMATE CYCLES.
 - VIBRATION: SINUSOIDAL PER CEI 60512-4; 10-TO-2,000 Hz.
 - THERMAL SHOCK: 5 CYCLES X 30-MINUTES: -40° TO +105 °C.
 - SEALING IN MATED CONDITION: IEC 60529-IP68: 10M WATER, 1-WEEK; DYNAMIC-IP69K: HIGH-PRESSURE WATER, DIN 40050.
- ELECTRICAL PERFORMANCE:
 - DIELECTRIC WITHSTANDING VOLTAGE / INSULATION RESISTANCE
2200 VRMS MAX. BETWEEN CIRCUITS 2,4 / 5000 M Ohm MIN. @ 500 VDC.
1500 VRMS MAX. BETWEEN CIRCUITS 1,3,5 / 5000 M Ohm MIN. @ 500 VDC.
- PACKAGED WITH SEALING WASHER
SOURIAU LABEL INCLUDES PART NO., QTY. & UL INFORMATION.
- UL 1977 RECOGNIZED
- POWER CONTACT RESISTANCE: ≤ 0.9 Milli Ohm.
SIGNAL CONTACT RESISTANCE ≤ 5 Milli Ohm.
- U.S. PATENT 7,955,125.
- MOLDING VOID CORES ARE INDICATED "X".
TYPICAL USE: OUTLET BOX.
RECOMMENDED TOOLS; 8 POINT 1 1/4 SOCKET: MAX. TORQUE 66 IN-LBS.
- FOR THREADED INSTALLATION:
TAP DRILL 59/64 OR .922 IN (23.42mm) 3/4-NPT INTERNAL THREADS.
FOR JAMNUT INSTALLATION:
SECURE WITH 3/4-NPT NUT:THRU-HOLE 1.05 INCH (26.7mm)

THIS DRAWING IS A CONTROLLED DOCUMENT FOR SOURIAU USA, INC. IT IS SUBJECT TO CHANGE WITHOUT NOTIFICATION. CONTACT THE DOCUMENT CONTROL CENTER FOR THE LATEST REVISION.



THE INFORMATION CONTAINED IN THIS DRAWING IS CONFIDENTIAL AND MAY NOT BE DISCLOSED WITHOUT WRITTEN CONSENT FROM SOURIAU USA, INC.



SCALE 1:1

Client Drawing Approval	
X	Option
	Approved with no Exceptions
	Approved with Exceptions Noted
	Revision/Resubmission Required
	Rejected
The signature above indicates the client's authorized representative has reviewed, understands, and concurs with the requirements defined herein. If no signature is provided, placement of a purchase order by the client is considered drawing acceptance.	

LINEAR MEASURE:	INCH [mm]	INCH [mm]
	THIRD ANGLE PROJECTION	
TOLERANCES UNLESS OTHERWISE SPECIFIED		
No. OF PLACES	INCH [mm]	
ONE PLACE	±.1 [±.3]	
TWO PLACES	±0.02 [±.5]	
THREE PLACES	±0.010 [±.25]	
ANGLES ±1°		

REV	DESCRIPTION	BY DATE	CHKD DATE
A	RELEASED PER ECN 11916	RSK 02-15-13	NPP 02-15-13

DRAWING TITLE
UTS RECEPTACLE, SIZE-18, PIN, NPT THREADS

CAT NO. **UTS718X2M3PNPT**

CAGE NO: 09922 SIZE: B

CUSTOMER

SOURIAU

www.souriau.com

INTERPRET THIS DRAWING IN ACCORDANCE WITH ASME Y14.5M - 1994.

DRAWN:	RSK	02-14-13
CHKD :	NPP	02-14-13
DSGN :	NPP	02-14-13
MFG :	DH	02-14-13
QC :	BB	02-14-13
DRAWING SCALE: 2:1		
DRAWING NO.		REV
S100044		A
1 OF 1		