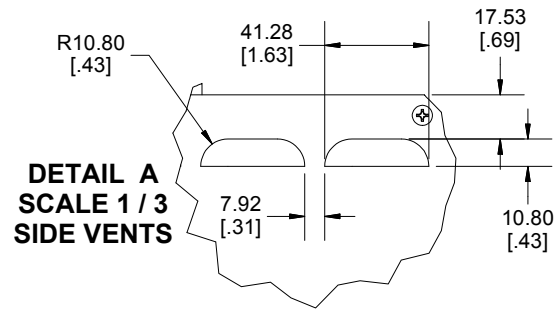
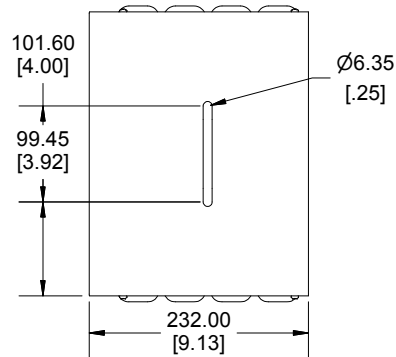
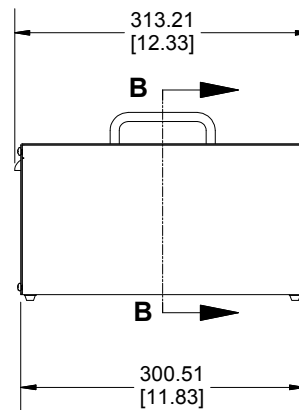


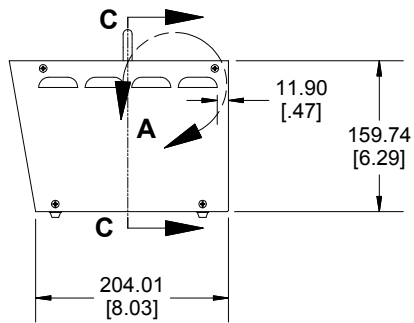
TOP VIEW OF ENCLOSURE



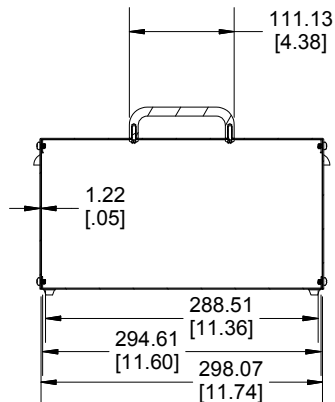
BACK VIEW OF ENCLOSURE



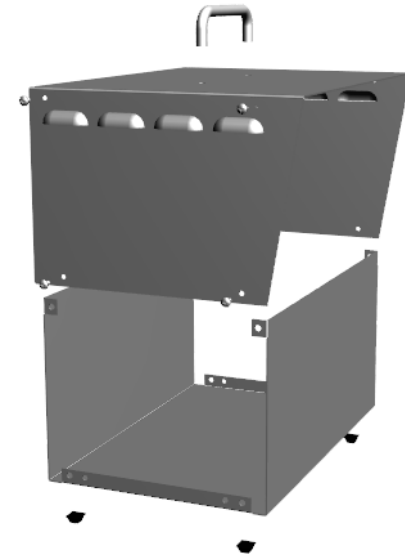
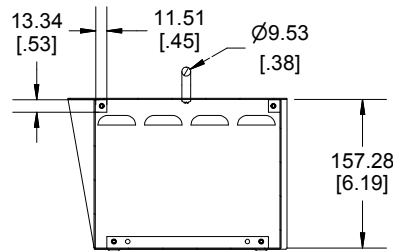
SIDE VIEW OF ENCLOSURE



SECTION C-C FRONT VIEW



SECTION B-B SIDE VIEW



Enclosures can be Factory Modified (Milling, Drilling, Printing etc.)
 Contact Factory mjm@hammondmfg.com for quotes
 Solid models of this enclosure available in STEP or IGES.

NOTE

Case Includes Adhesive Rubber Feet, Handle Kit and Required Hardware.
 Enclosure Case is Made of 0.05" Steel.

PART NUMBERS

518-0920 Enclosure	
Smooth Light Grey Top Case Dark Satin Grey Base Case	518-0920
ACCESSORIES	
Plated Cover Screws (Pkg 50) [M4 x 6mm Self Tapping]	SC19480-50
Black Self-Adhesive Rubber Feet (Pkg 4)	1421T3

HAMMOND MANUFACTURING™
518-0920
www.hammondmfg.com

Dimensions:
 mm
 [inches]