

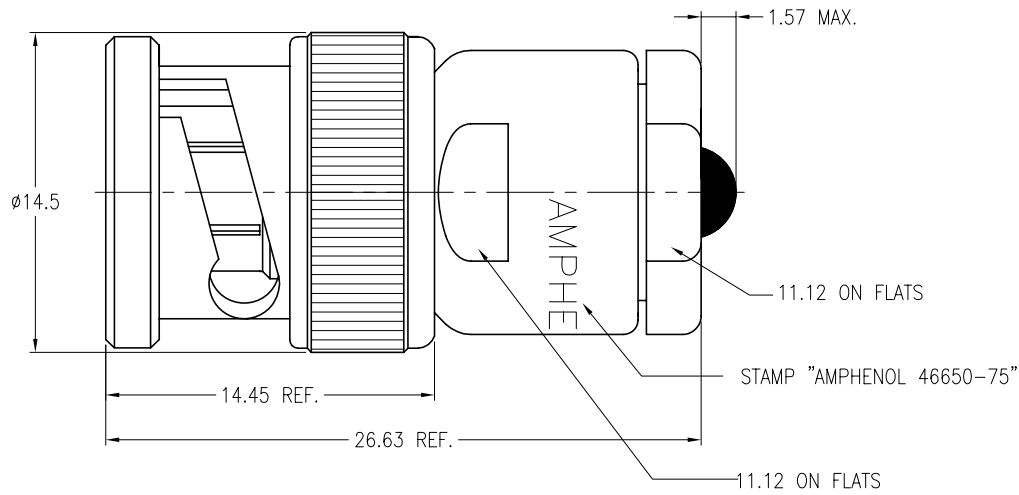
NOTES:

1. MATERIALS AND FINISHES:
 BODY - BRASS, NICKEL PLATING
 CONTACT - BRASS, GOLD PLATING
 INSULATOR - PTFE, NATURAL
2. ELECTRICAL:
 A. IMPEDANCE: 75 OHM
3. MECHANICAL:
 A. DURABILITY: 500 CYCLES MIN.
 B. TEMPERATURE RANGE: - 65°C to +165°C

THIRD ANGLE PROJ. 

REVISIONS

REV	DESCRIPTION	DATE	ECO	APPR
B	SEE SHEET 1	25-Feb-08		AW
AH	SEE SHEET 1	12-Mar-10	47967	SH



CUSTOMER OUTLINE DRAWING

ALL OTHER SHEETS ARE FOR INTERNAL USE ONLY

UNLESS OTHERWISE SPECIFIED, DIMENSIONS ARE IN METRIC AND TOLERANCES ARE: <math>< 0.5\text{mm}</math> $0.5 - 6\text{mm}$ $6 - 30\text{mm}$ $30 - 120\text{mm}$ ANGLES $\pm 0.05\text{mm}$ $\pm 0.1\text{mm}$ $\pm 0.2\text{mm}$ $\pm 0.3\text{mm}$ $\pm 1^\circ$	MATERIAL	DRAWN T.DENG	DATE 04-Feb-10	TITLE BNC RESISTOR TERMINATED PLUG 1 WATT 5%		Amphenol RF Danbury CT USA, Tainan Taiwan, Shenzhen China www.amphenolrf.com		
	NOTICE - These drawings, specifications, or other data (1) are, and remain the property of Amphenol Corp. (2) must be returned upon request; and (3) are confidential and not to be disclosed to any person other than those to whom they are given by Amphenol Corp. The furnishing of these drawings, specifications, or other data by Amphenol Corp., or to any other person to anyone for any purpose is not to be regarded by implication or otherwise in any manner licensing, granting rights or permitting such holder or any other person to manufacture, use or sell any product, process or design, patented or otherwise, that may in any way be related to or disclosed by said drawings, specifications, or other data.	REFERENCE	ENGINEER C.WANG	DATE 04-Feb-10	SCALE: 3/1 SHEET 2 OF 2		DRAWING NO. 46650-75	
			APPROVED S.HSIEH	DATE 12-Mar-10			ITEM NO. 46650-75	
			FINISH	CAD FILE F:\DWG\CNPD\46650\75-AHSZ	DWG SIZE B	CODE ID 74868	REV AH	PART NO. 46650-75